



Installation instructions

Akrapovič Exhaust Systems

Slip-On

for the

Kawasaki ER6-N/F 2009,

Kawasaki Versys 2009



502229

www.akrapovic.com

Congratulations on purchasing an Akrapovič exhaust system. Please read these installation instructions carefully. If you have any trouble installing the system please contact your authorized dealer!

IMPORTANT INFORMATION

Exclusion of Certain Liability

1. The manufacturer, importer or dealer shall not be liable for any incidental damage including personal injury or any other damages caused by improper installation or operation of the Akrapovič exhaust system. When installing the Akrapovič exhaust system be careful that the exhaust system does not touch other parts sensitive to high temperature.
2. Akrapovič makes no representation or warranties with regard to damage caused by the improper installation, use and maintenance of the Akrapovič exhaust system. The warranty is limited to defects recognized by our technical department and due to normal use, and excludes items subject to normal wear (gaskets and damping wool). The guarantee is void in case of accident, modification, improper or competition use.
3. Do not attempt to install the Akrapovič exhaust system on a vehicle model for which it was not made or tested by Akrapovič.
4. When the exhaust system gets very hot during operation, be careful not to burn yourself on the exhaust system or parts which are in direct contact with it, even when the engine is not running. Also protect other people, especially children, from the injuries mentioned above.
5. In some cases Akrapovič exhaust system kits contain chemical products (ceramic anti-seizing grease; bolt sealant). Handle with care, do not inhale or swallow. Avoid excessive contact with skin, eyes or mucous membranes. Keep out of reach of children.
6. Technical specifications of Akrapovič exhaust systems and related products are subject to change without notice.

Trademarks

The Akrapovič Exhaust System Technology logo is a registered trademark of Akrapovič d.d.

Akrapovič website

Information about Akrapovič exhaust systems and related products is available on the Akrapovič website at:

<http://www.akrapovic.com>

Copyright

No part of the Akrapovič exhaust system or its documentation may be reproduced or distributed in any form or by any means without the prior written authorization of the Akrapovič company.

© Akrapovič, d.d. All rights reserved.

Symbols

The following symbols are used throughout these installation instructions:



TOOLS REQUIRED



TIGHTENING TORQUE



INSTALLATION TIP



CAUTION OR WARNING



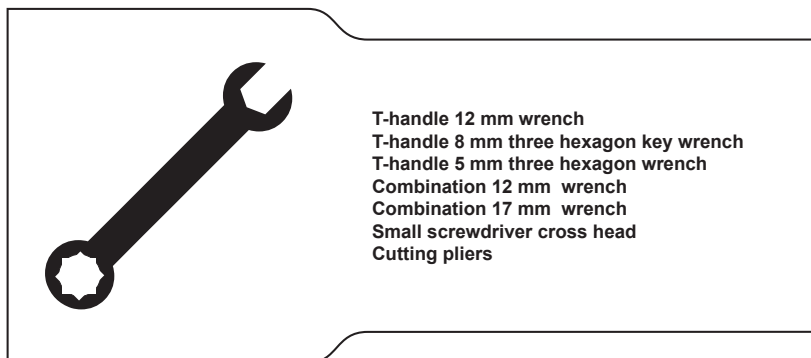
USE BOLT SEALANT; Apply 3 to 4 small drops of bolt sealant onto the cleaned and degreased threads before tightening the bolts. **WARNING! Avoid contact with skin, eyes and mucous membranes. Do not inhale fumes. Keep out of reach of children.**



USE ANTI-SEIZE LEAD-FREE COPPER PASTE (black tube); Provides trouble-free and long-lasting protection against seizing, corrosion and rusting of bolts, threaded ends, nuts, joints, etc. Also protects against vibration, wear and impact. **WARNING! Avoid eye contact. Avoid excessive skin contact. Keep out of reach of children.**



USE ANTI-SEIZING GREASE (white tube); Prevents seizing, corrosion and excessive wear between the titanium components of your exhaust system. **WARNING! Avoid eye contact. Avoid excessive skin contact. Keep out of reach of children.**



BEFORE INSTALLING, CHECK SCHEMATIC OF THE EXHAUST SYSTEM!



IF ANY ITEMS IN THE AKRAPOVIČ EXHAUST SYSTEM PACKAGE ARE MISSING, PLEASE CONTACT YOUR AUTHORIZED DEALER. KEEP THE SCHEMATIC FOR FUTURE REFERENCE.



THESE INSTALLATION INSTRUCTIONS MUST BE READ CAREFULLY IN ORDER TO ENSURE PROPER INSTALLATION AND OPERATION OF THE AKRAPOVIČ EXHAUST SYSTEM.



THE EXHAUST SYSTEM CAN BE EXTREMELY HOT. ALLOW THE EXHAUST AND ENGINE TO COOL DOWN BEFORE BEGINNING INSTALLATION.



WE ADVISE YOU TO LEAVE INSTALLATION TO A QUALIFIED SERVICEMAN. IMPROPER INSTALLATION MAY RESULT IN A SHORTER LIFETIME OF THE EXHAUST SYSTEM AND/OR DAMAGE TO THE VEHICLE.

REMOVAL OF STOCK EXHAUST SYSTEM:

1. Put the motorcycle on a side stand, we recommend a racing stand.
2. **For ER-6 Versys:** Unscrew the marked bolts on both sides of the motorcycle and remove the lower part of the cowling (Figure 1).



Figure 1

3. **For ER-6 :** Unscrew the marked bolts on both sides of the motorcycle and remove the lower part of the cowling (Figure 2).



Figure 2

4. Unscrew and remove the lambda sensor (Figure 3).
! **WARNING:** make sure not to damage lambda sensor's electrical lead!



Figure 3

5. For ER-6 Versys: Unscrew the marked bolt and remove the frame guard (Figure 4).
For ER-6 : Unscrew the marked bolts and remove the frame guard and the rider's footrest shield (Figure 5).



Figure 4

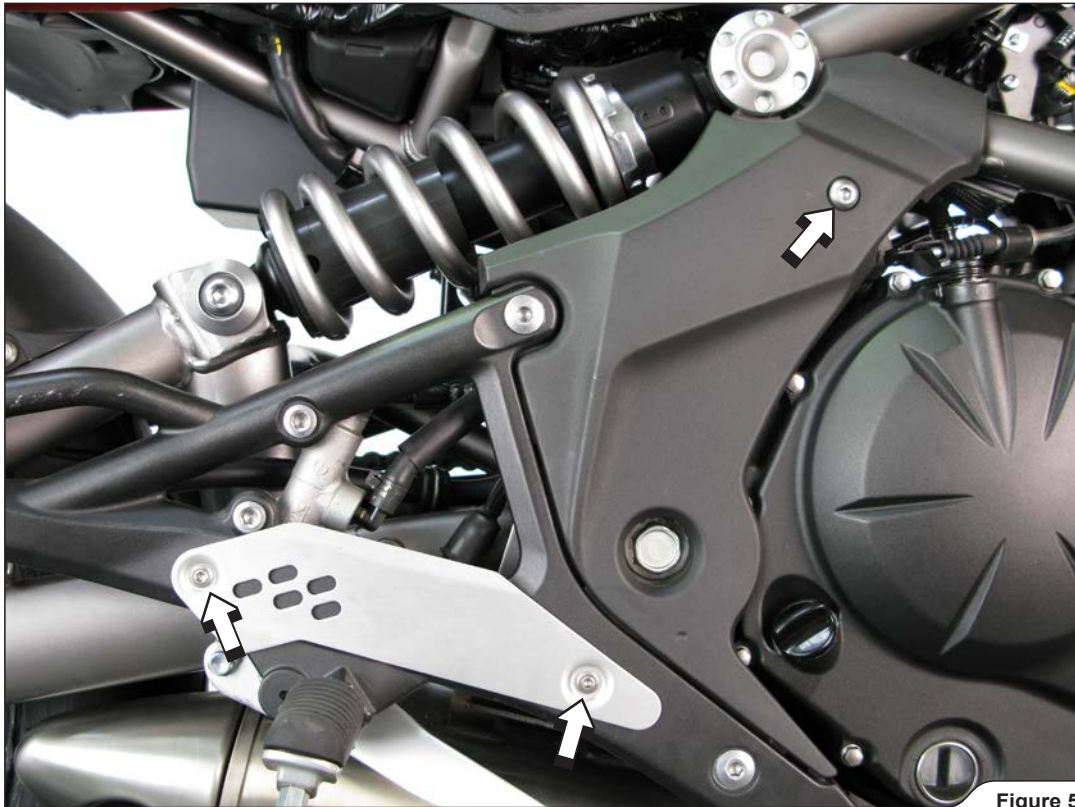


Figure 5

6. For ER-6 Versys: Unscrew the marked bolts from the rider's footrest bracket and remove the bracket (Figure 6). For ER-6: Unscrew the marked bolts from the rider's and passenger's footrest bracket and remove the bracket (Figure 7).
- ! **WARNING: do not disconnect the brake fluid tube!**

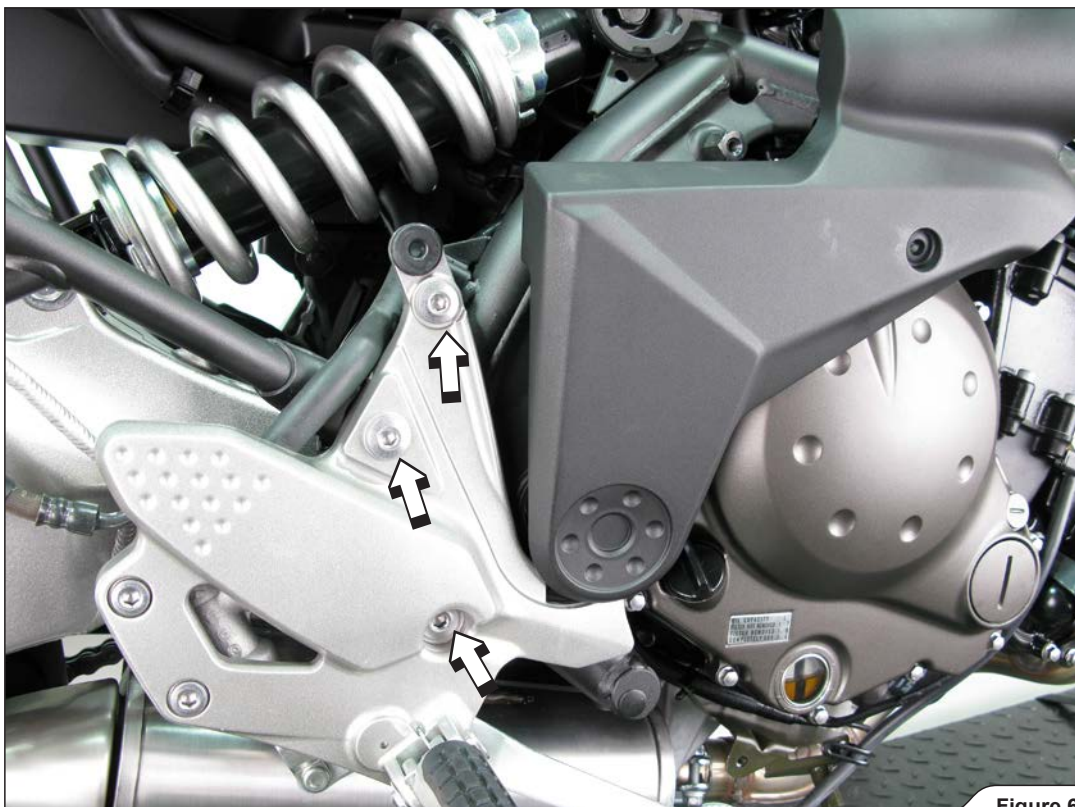


Figure 6

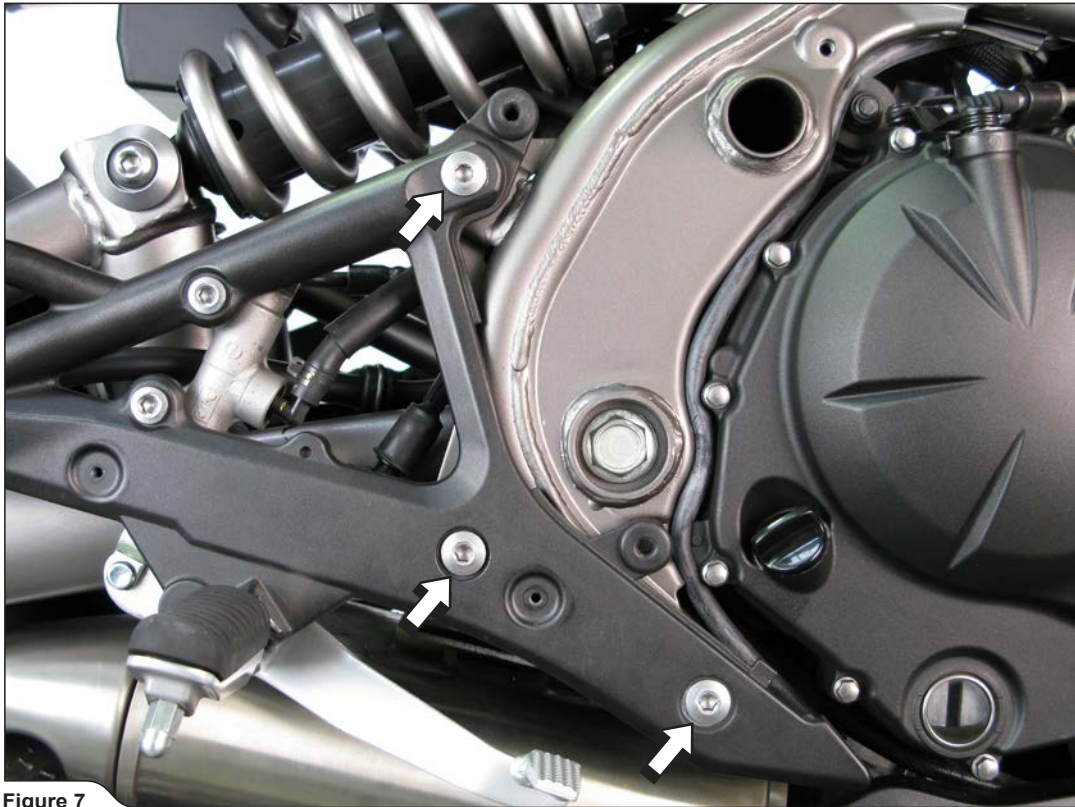


Figure 7

7. Loosen the mark nuts from the flanges of the header tubes (do not remove them!) (Figure 8).

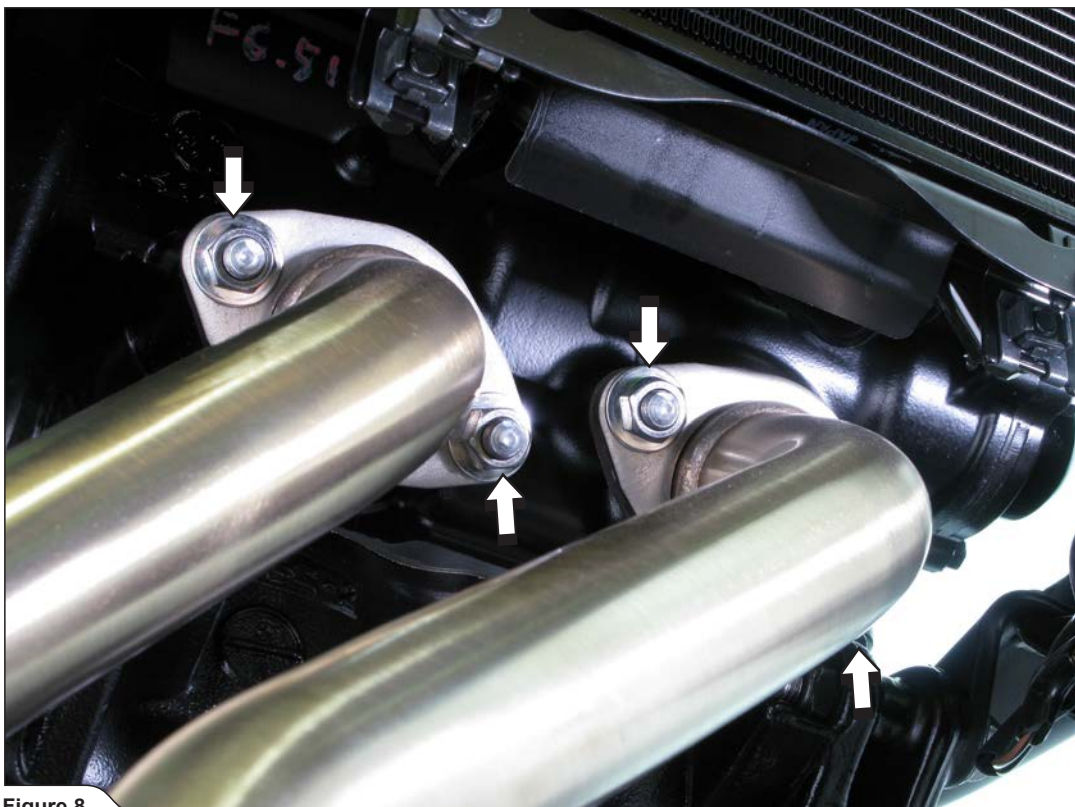


Figure 8

8. Unscrew the marked bolts from the muffler hanging bracket. Unscrew the metal clamp at the muffler link pipe-collector connection and remove the muffler (Figure 9). Remove the marked metal collars and rubber dampers (Figure 10).

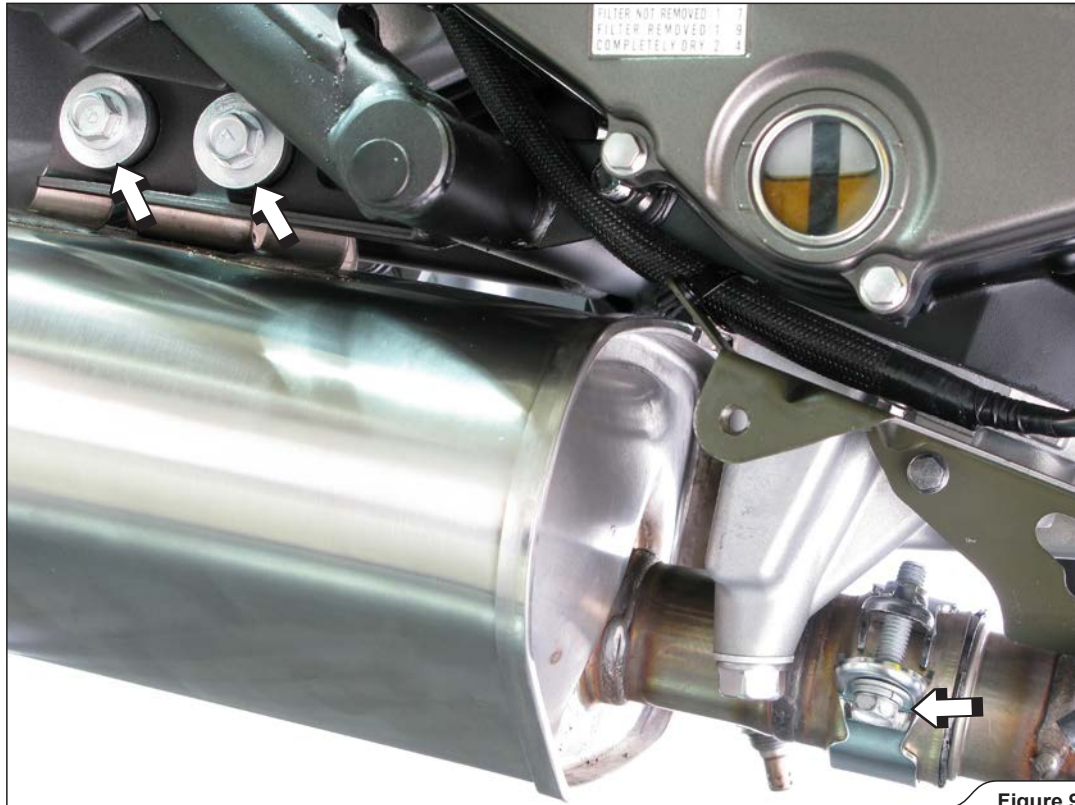


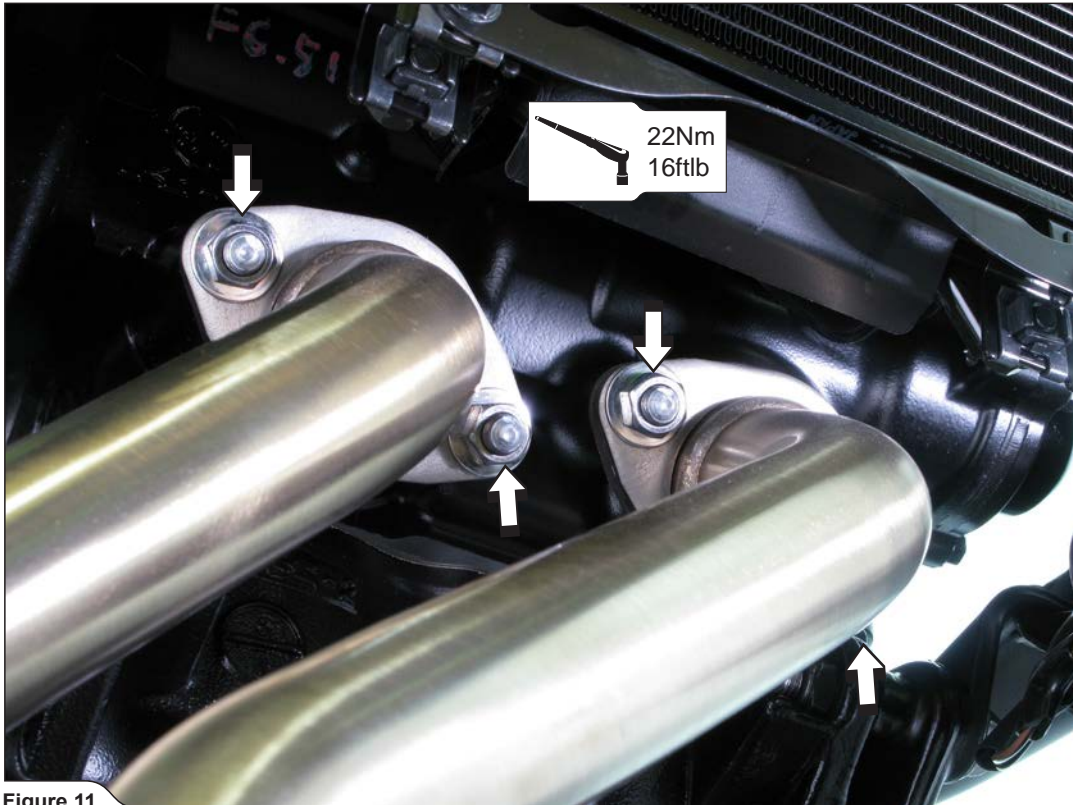
Figure 9



Figure 10

INSTALLATION OF THE AKRAPOVIC SLIP-ON EXHAUST SYSTEM:

1. Retighten the nuts on the flanges of the header tubes (**Figure 11**). Coat the bolt and interior of the metal clamp with spring hook whit Akrapovič anti-seize lead-free copper paste (black tube) (**Figure 12**).



2. Correctly install Akrapovic metal clamp with spring hook and hand tighten the bolt (Figure 13).



Figure 13

3. For ER-6 Versys and ER-6: Insert the catalyst into the independent link pipe. Coat the bolt and interior of the metal clamp with Akrapovic anti-seize lead-free copper paste (black tube) and correctly install it onto link pipe (Figure 14, 15).



Figure 14



Figure 15

4. Slide the link pipe onto the stock collector (Figure 15). Tighten the lambda sensor (Figure 16).
! **WARNING:** metal clamp must be above the metal clamp with spring hook!

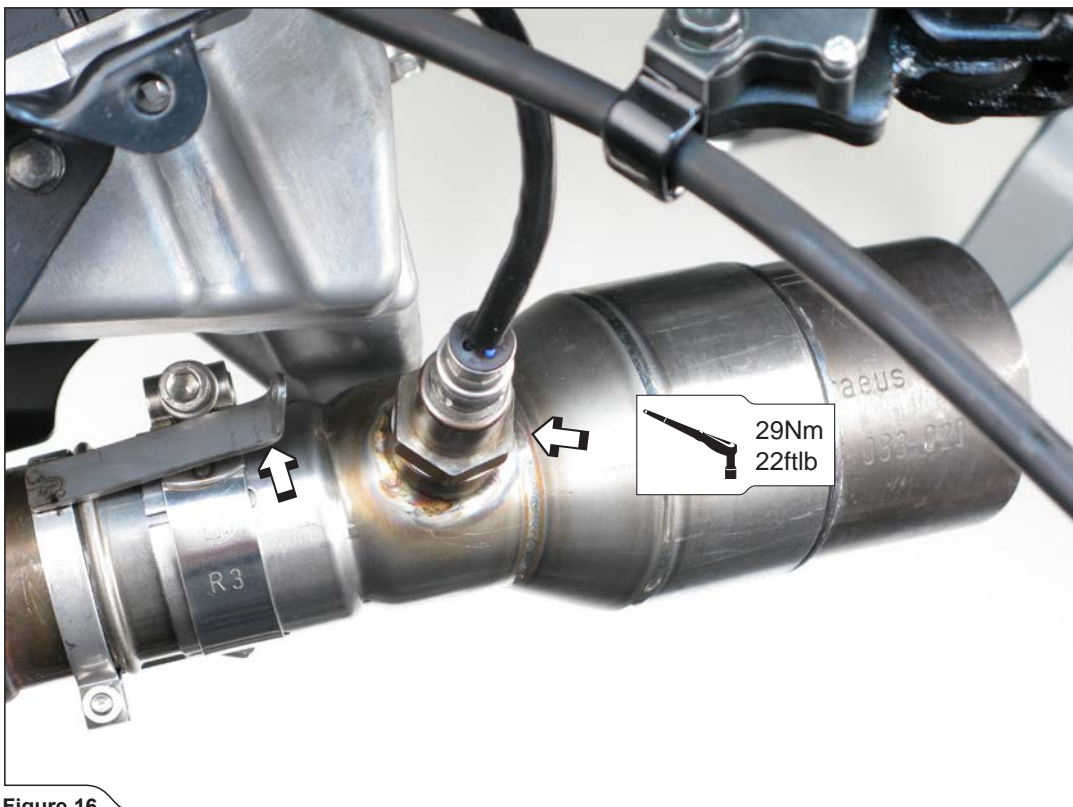


Figure 16

5. Correctly position the carbon-fiber clamp and slide it onto the muffler - bear in mind **the left offset** of the carbon-fiber clamp viewed from the rear (**Figure 17, 18**).
! WARNING: open the clamp to slightly wider than the diameter of the outer sleeve of the muffler – do not scrape it along the muffler outer sleeve!



Figure 17



Figure 18

6. Position the muffler correctly and slide it onto the outlet side of the independent link pipe and attach the springs (Figure 32, 33).
- ! **WARNING!** make sure, that springs pull the muffler all the way onto the link pipe – use rubber mallet if necessary to tap the connection into place! (Figure 32, 33).



Figure 19

7. Align the muffler in respect to the motorcycle, tighten the bolt on the carbon-fiber clamp and tighten the carbon-fiber clamp to the stock muffler bracket joint using Akrapovic bolt, washer and nut. Tighten the metal clamp with spring hook (Figure 20).

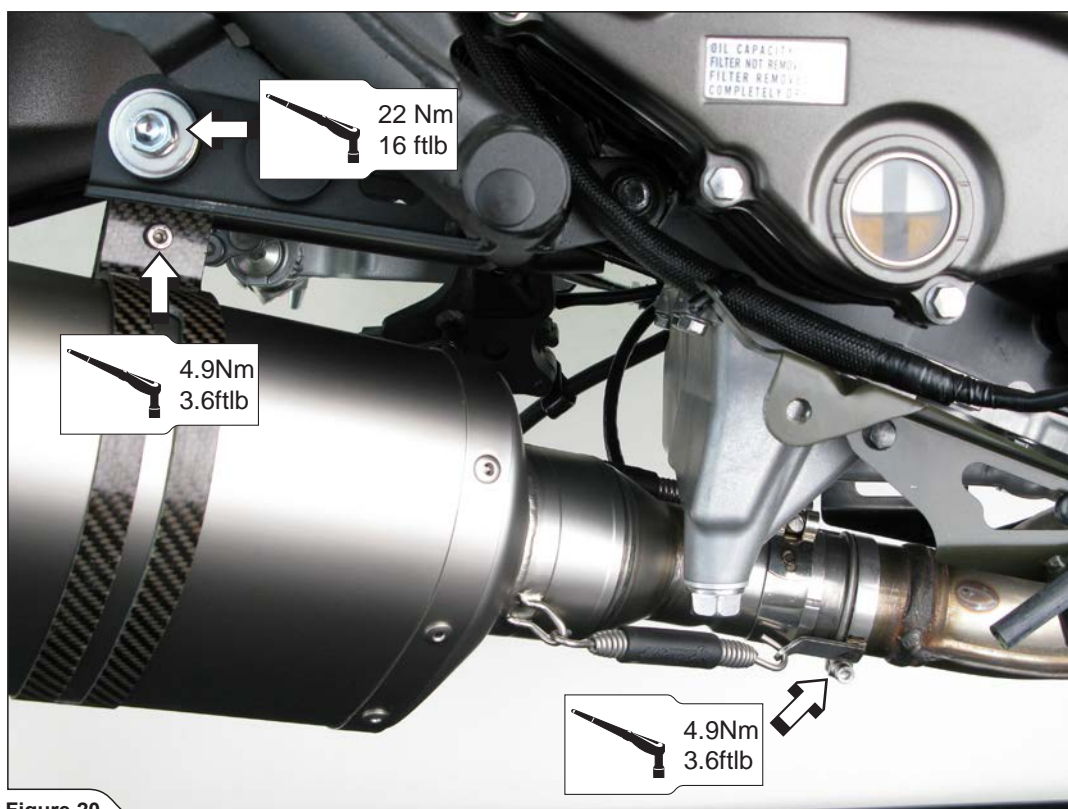


Figure 20

8. Tighten the metal clamp (Figure 21)

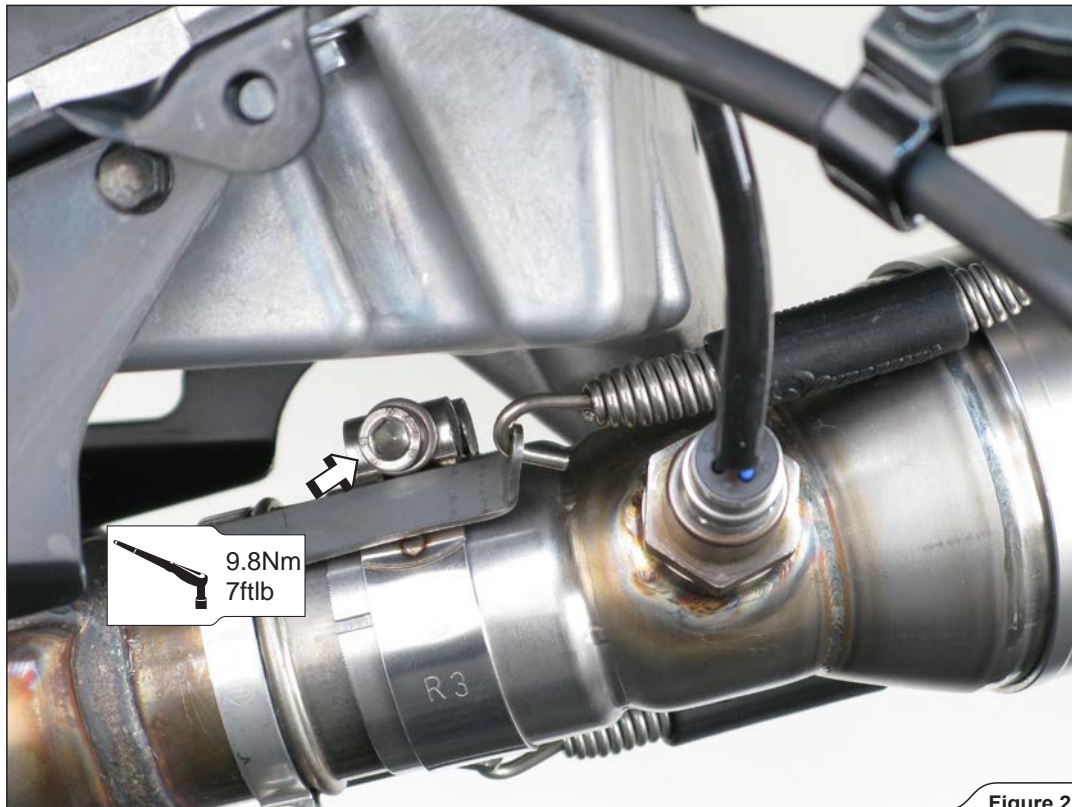


Figure 21

9. For ER-6 Versys: Reinstall the rider's footrest bracket in the reverse order from the order in which it was removed (Figure 22).
For ER-6: Reinstall the rider's and passenger's footrest bracket in the reverse order from the order in which it was removed (Figure 23).

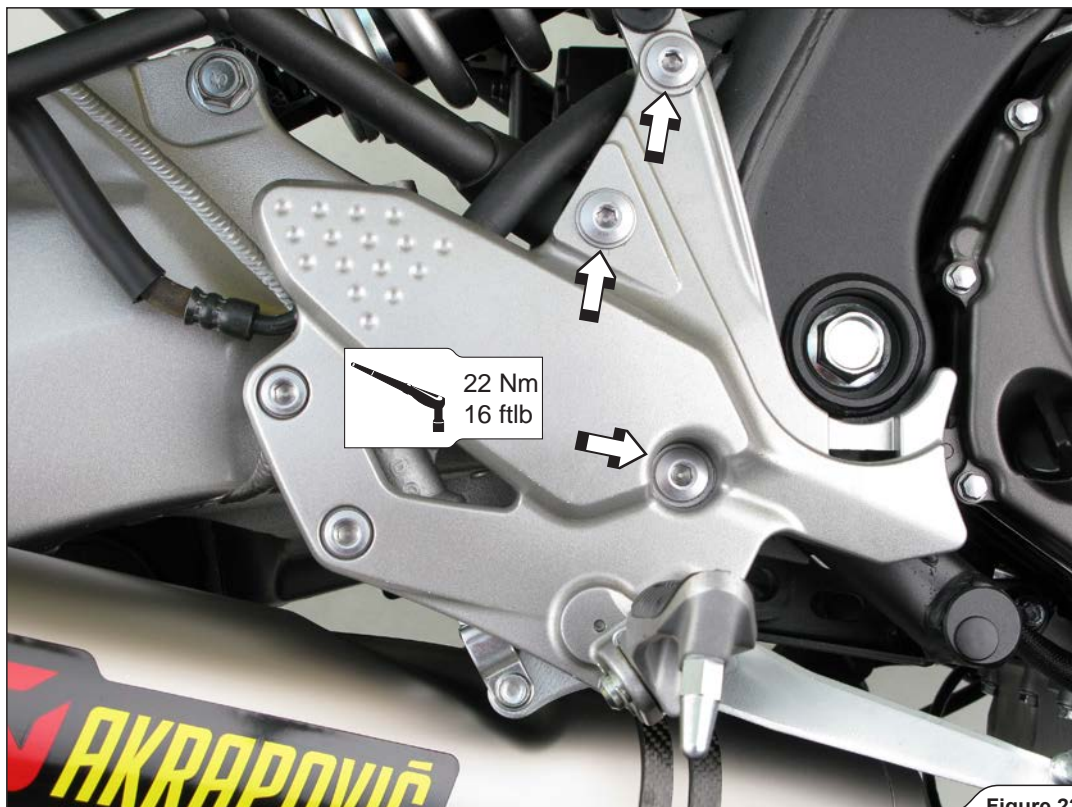


Figure 22

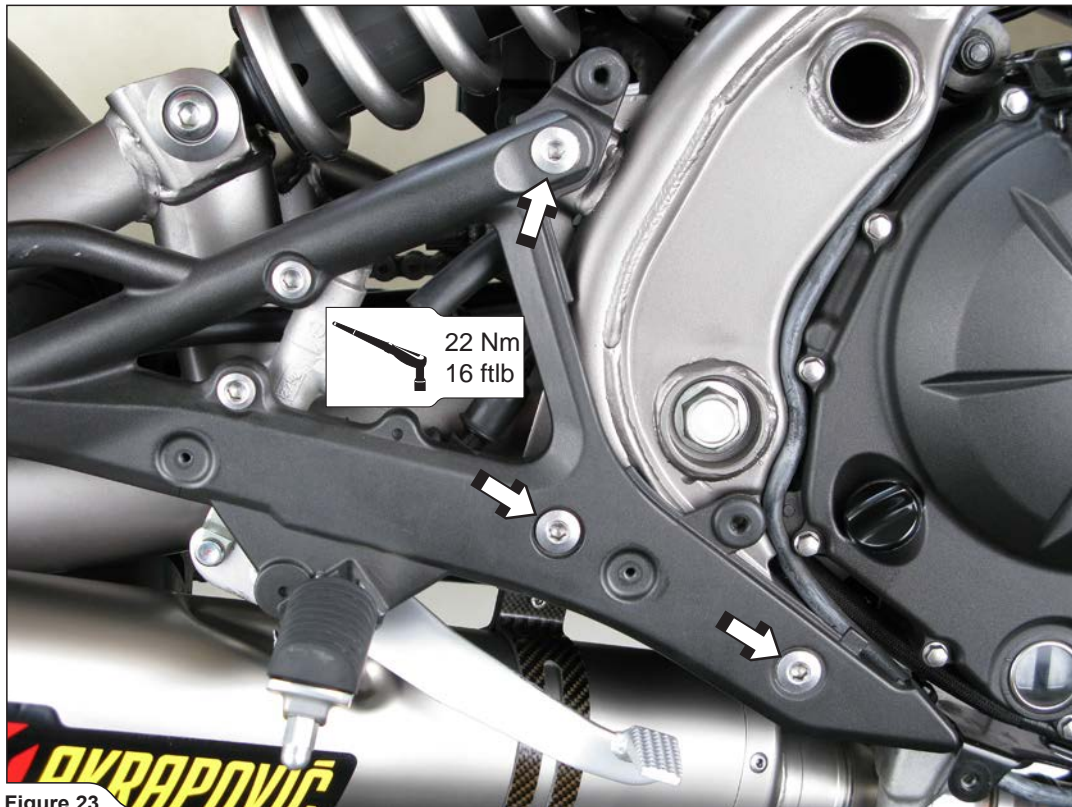


Figure 23

10. For ER-6 Versys: Reinstall the the frame guard in the reverse order from the order in which it was removed (Figure 24).
 For ER-6 : Reinstall the rider's footrest shield and frame guard in the reverse order from the order in which it was removed (Figure 25, 26).

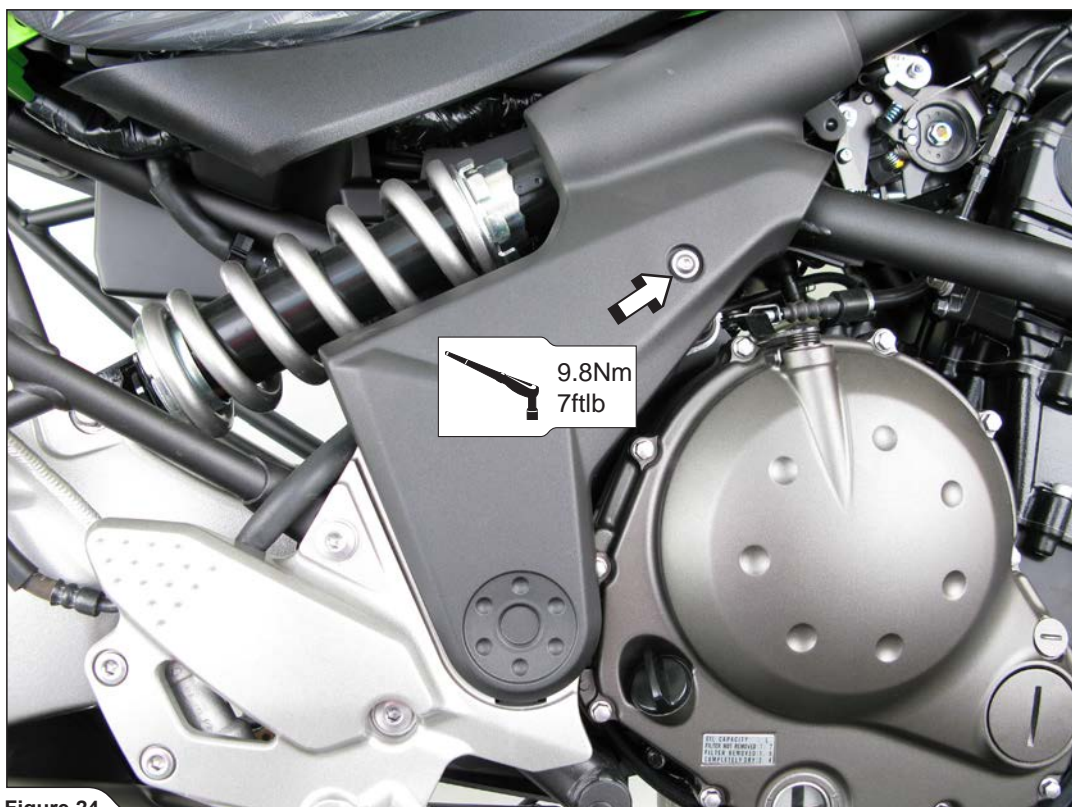


Figure 24



Figure 25

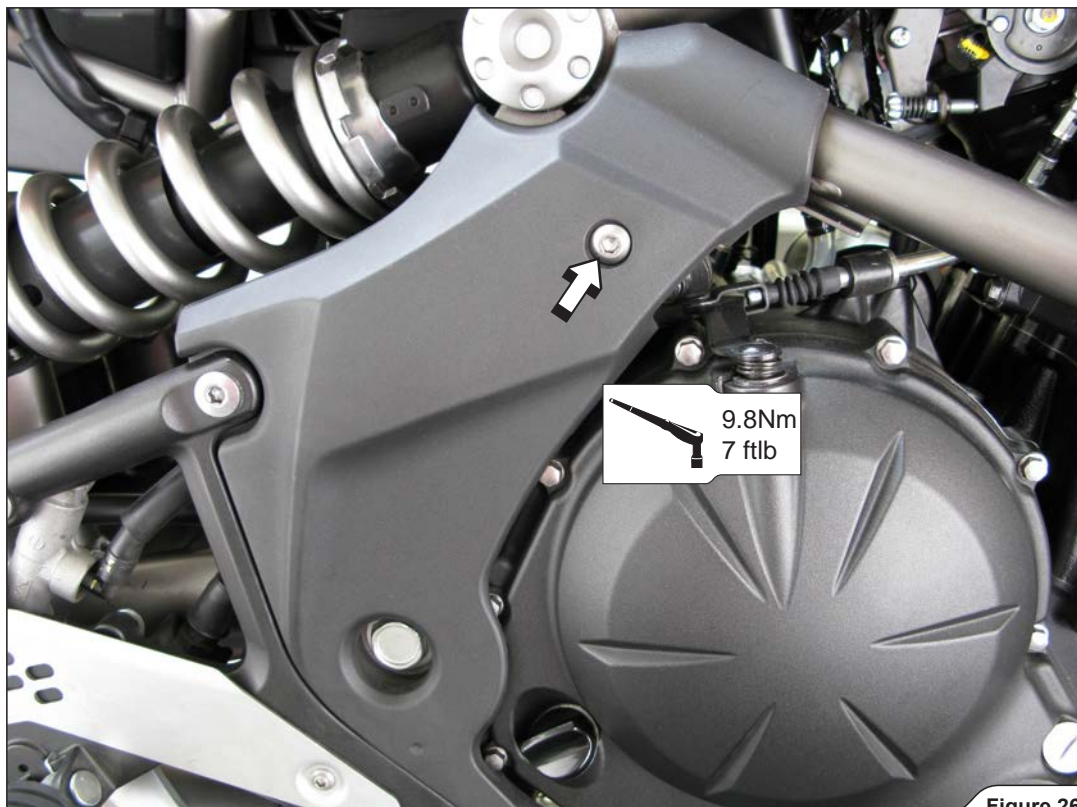


Figure 26

11. **For ER-6 Versys:** Reinstall the lower part of the cowling in the reverse order from the order in which it was removed (**Figure 27**).
For ER-6 : Reinstall the lower part of the cowling in the reverse order from the order in which it was removed (**Figure 28**).

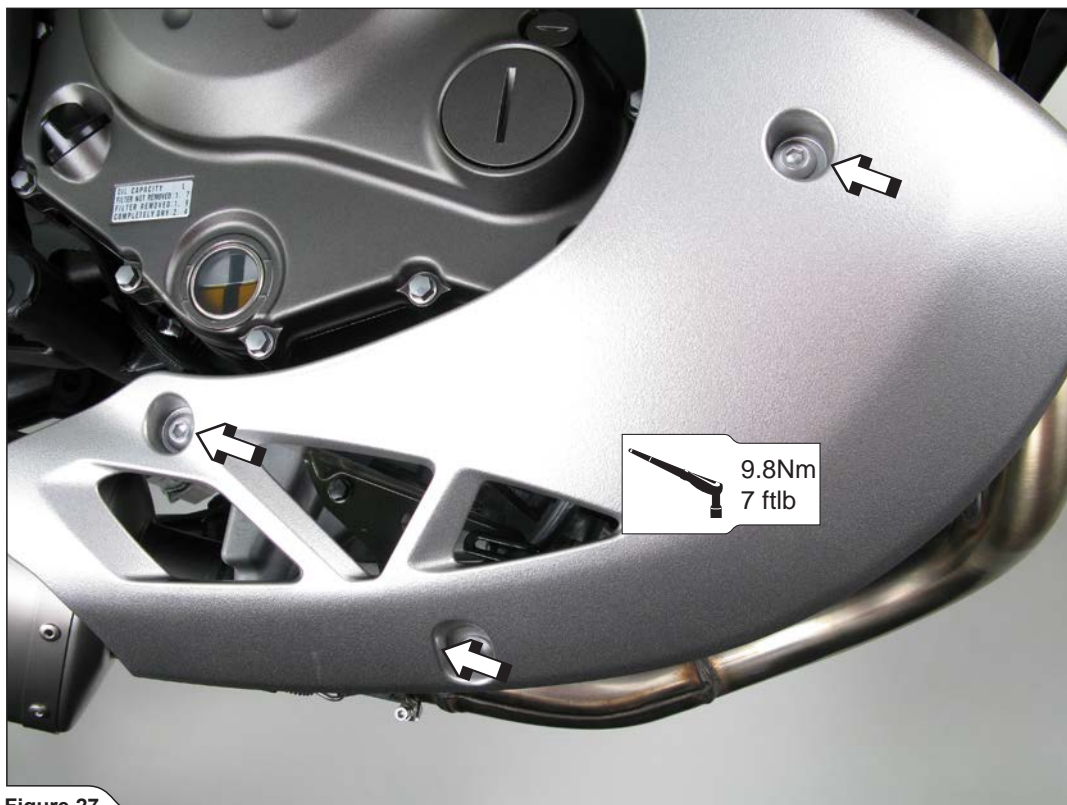


Figure 27

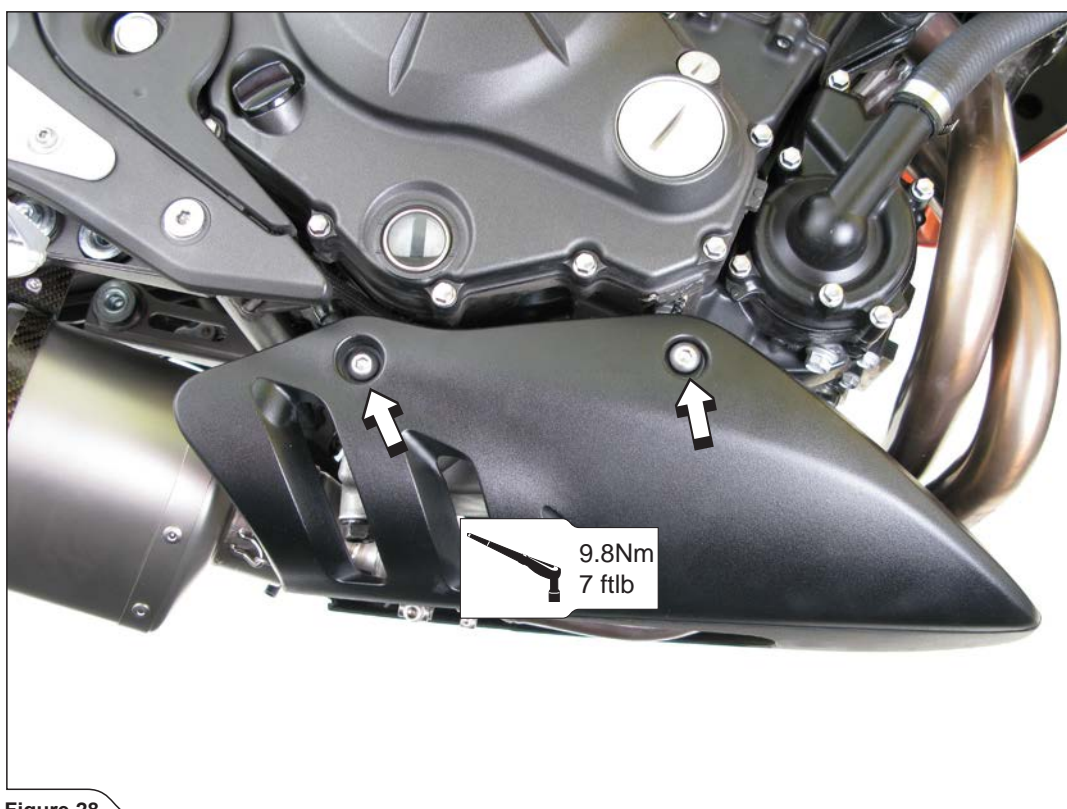


Figure 28

Final installation:

- 12.** Clean grease spots:
- a. Muffler – titanium outer sleeve: use a soft cloth sprayed with a multi-purpose spray lubricant (WD-40 or equivalent).
 - b. Slip-On with stainless steel link pipe: use a soft cloth sprayed with a contact cleaner, then wipe with a soft dry cloth.

Cleaning will prevent spots from burning onto the surface. Do not use aggressive chemical cleaners, because they can damage the sticker.

! WARNING: make sure all the bolts are sufficiently tightened. In case the exhaust system touches the cowling or other parts repeat the adjustment of the exhaust system or contact your authorized dealer.

! IT IS NORMAL IF WHITE SMOKE COMES OUT OF THE MUFFLER ON FIRST OPERATION.

! DO NOT STAND BEHIND THE MUFFLER ON FIRST OPERATION.

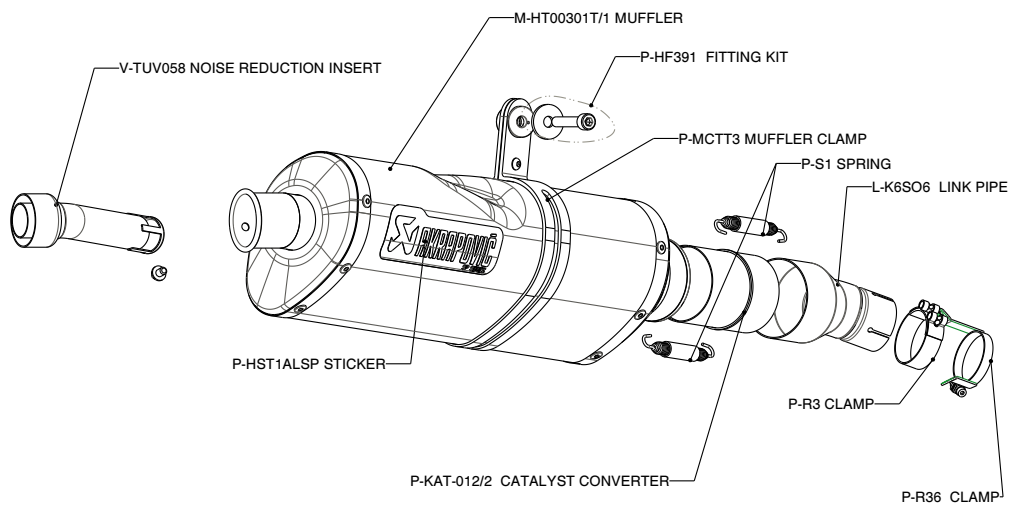
! DO NOT USE AUTOMOTIVE WHEEL CLEANERS OR ANY CLEANING PRODUCTS WHICH CONTAIN ACIDIC ADDITIVES TO CLEAN AKRAPOVIČ EXHAUST SYSTEMS.

MAINTENANCE OF THE AKRAPOVIČ EXHAUST SYSTEM

1. Clean the titanium exhaust components with a multi-purpose spray lubricant (WD-40 or equivalent), carbon fiber exhaust components with soft and dry cloth and stainless steel components with soft cloth sprayed with contact cleaner, then wipe with soft and dry cloth. A change in the color of the exhaust system is normal due to the high temperatures.
2. Periodically make sure all the bolts and springs are sufficiently tight.

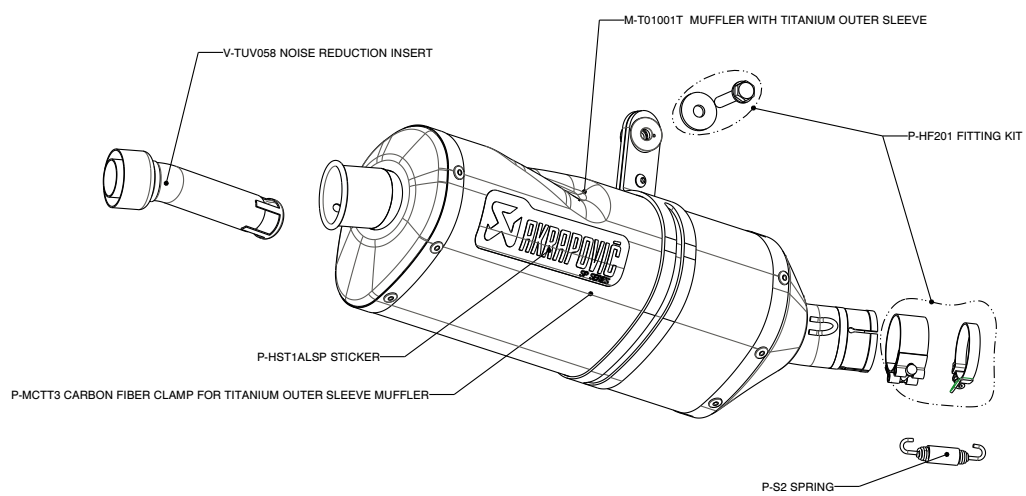
Kawasaki ER-6n/f , Slip-ON homologated system; model: 2009

Product code: SS-K6SO5-HTT



KAWASAKI ER-6N/F Slip on line CUP Series; model 2009

Product code: SS-K6SO5-TT



Kawasaki VERSYS, Slip-ON homologated system; model: 2007/08/09

Product code: SS-K6SO6-HTT

