



## Installation instructions

Akrapovič Exhaust Systems:  
**Racing and Evolution**  
for the  
**HONDA CRF250R**



\*502496\*

**Congratulations on purchasing an Akrapovič exhaust system. Please read the entire installation manual prior to undertaking any activities related to installation of your new Akrapovič exhaust system. In case you do not fully understand the manual or any of its parts, please contact your authorized dealer!**

**This product should be installed by someone with sufficient knowledge of exhaust systems and their installation, and appropriate hand or power tools. If you are not qualified for this work, please utilize a certified mechanic for installation. By installing Your Akrapovič exhaust system, you indicate that you have read the installation manual in its entirety and you agree with the terms stated herein.**

**It is your responsibility to follow all installation instruction guidelines supplied with the Akrapovič exhaust system and undertake all necessary safety precautions. Akrapovič d.d. assumes no responsibility for damages occurring from misuse, abuse, improper installation, improper operation, lack of responsible care, or all previously stated reasons resulting from incompatibility with other manufacturer's products and/or systems.**

## **IMPORTANT INFORMATION**

### **Exclusion of Certain Liability**

1. The manufacturer, importer or dealer shall not be liable for any incidental damage including personal injury or any other damages caused by improper installation or operation of the Akrapovič exhaust system. When installing the Akrapovič exhaust system be careful that the exhaust system does not touch other parts sensitive to high temperature.
2. Akrapovič makes no representation or warranties with regard to damage caused by the improper installation, use and maintenance of the Akrapovič exhaust system. The warranty is limited to defects recognized by our technical department and due to normal use, and excludes items subject to normal wear (gaskets and damping wool). The guarantee is void in case of accident, modification, improper or competition use.
3. Do not attempt to install the Akrapovič exhaust system on a vehicle model for which it was not made or tested by Akrapovič.
4. When the exhaust system gets very hot during operation, be careful not to burn yourself on the exhaust system or parts which are in direct contact with it, even when the engine is not running. Also protect other people, especially children, from the injuries mentioned above.
5. In some cases Akrapovič exhaust system kits contain chemical products (ceramic anti-seizing grease; bolt sealant). Handle with care, do not inhale or swallow. Avoid excessive contact with skin, eyes or mucous membranes. Keep out of reach of children.
6. Technical specifications of Akrapovič exhaust systems and related products are subject to change without notice.
7. Before removing the original exhaust system from your vehicle, please compare the parts you received with the list of materials provided in the installation manual in order to assure that you have all the parts necessary for the installation of your new Akrapovič exhaust system.
8. Although this manual consists of instructions for installation in written form, as well as photographs and pictures representing individual steps of the installation, please note that the photographs and pictures are symbolic and are intended for representation of general overview only. The photographs and pictures contained herein should serve as a guideline only and actual installation of the exhaust system may not correspond with the photographs and pictures entirely.
9. The process of uninstalling the original exhaust system may vary depending on the existing exhaust system. Please follow the original exhaust system manufacturer's instructions for uninstalling the original exhaust system.

### **Trademarks**

The Akrapovič Exhaust System Technology logo is a registered trademark of Akrapovič d.d.

### **Akrapovič website**

Information about Akrapovič exhaust systems and related products is available on the Akrapovič website at: <http://www.akrapovic.com/>

### **Copyright**

No part of the Akrapovič exhaust system or its documentation may be reproduced or distributed in any form or by any means without the prior written authorization of the Akrapovič company.

© Akrapovič, d.d. All rights reserved.

## Symbols

The following symbols are used throughout these installation instructions:



TOOLS REQUIRED



TIGHTENING TORQUE



INSTALLATION TIP



CAUTION OR WARNING



**USE BOLT SEALANT;** Apply 3 to 4 small drops of bolt sealant onto the cleaned and degreased threads before tightening the bolts. **WARNING! Avoid contact with skin, eyes and mucous membranes. Do not inhale fumes. Keep out of reach of children.**



**USE ANTI-SEIZE LEAD-FREE COPPER PASTE** (black tube); Provides trouble-free and long-lasting protection against seizing, corrosion and rusting of bolts, threaded ends, nuts, joints, etc. Also protects against vibration, wear and impact. **WARNING! Avoid eye contact. Avoid excessive skin contact. Keep out of reach of children.**



**USE ANTI-SEIZING GREASE** (white tube); Prevents seizing, corrosion and excessive wear between the titanium components of your exhaust system. **WARNING! Avoid eye contact. Avoid excessive skin contact. Keep out of reach of children.**



T-handle 8 mm wrench  
T-handle 10 mm wrench  
T-handle 13 mm wrench  
T-handle 12 mm swivelling wrench  
Spring puller



**BEFORE INSTALLING, CHECK SCHEMATIC OF THE EXHAUST SYSTEM!**



**IF ANY ITEMS IN THE AKRAPOVIČ EXHAUST SYSTEM PACKAGE ARE MISSING, PLEASE CONTACT YOUR AUTHORIZED DEALER. KEEP THE SCHEMATIC FOR FUTURE REFERENCE.**



**THESE INSTALLATION INSTRUCTIONS MUST BE READ CAREFULLY IN ORDER TO ENSURE PROPER INSTALLATION AND OPERATION OF THE AKRAPOVIČ EXHAUST SYSTEM.**



**THE EXHAUST SYSTEM CAN BE EXTREMELY HOT. ALLOW THE EXHAUST AND ENGINE TO COOL DOWN BEFORE BEGINNING INSTALLATION.**



**WE ADVISE YOU TO LEAVE INSTALLATION TO A QUALIFIED SERVICEMAN. IMPROPER INSTALLATION MAY RESULT IN A SHORTER LIFETIME OF THE EXHAUST SYSTEM AND/OR DAMAGE TO THE VEHICLE.**

**REMOVAL OF ORIGINAL EXHAUST SYSTEM:**

1. Put the motorcycle on a central racing stand. Make sure, that surface is solid and flat.
2. Unscrew the marked bolts and remove the right side panel (**Figure 1**).



Figure 1

3. Untighten the metal clamp at header tube - muffler joint and unscrew the marked muffler bracket bolts. Remove the muffler off the motorcycle (**Figure 2**).

**! CAUTION:** make sure not to damage any part of the motorcycle during this process!



Figure 2



4. Unscrew the two marked nuts and remove the stock header pipe off the motorcycle (**Figure 3**).

**! CAUTION: make sure not to damage any part of the motorcycle during this process!**

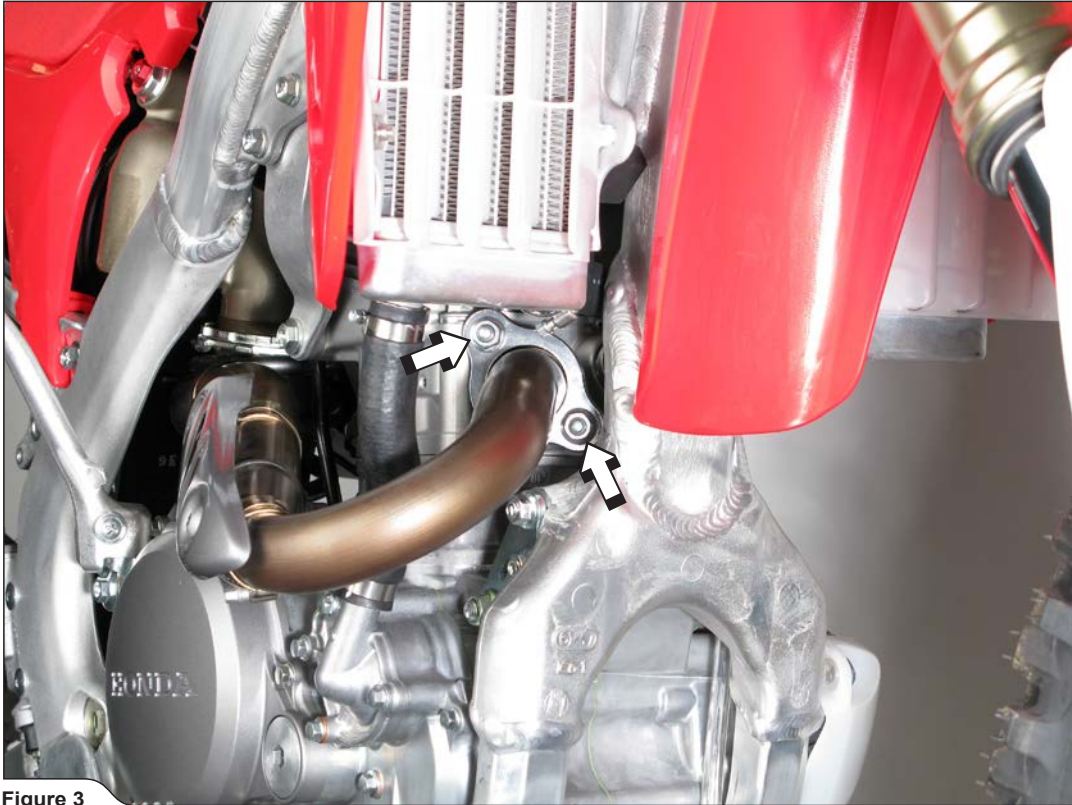


Figure 3

#### **INSTALLATION OF THE AKRAPOVIČ EXHAUST SYSTEM:**

1. Set up the sleeve together with the flange and springs, as shown (**Figure 4**).



Figure 4

2. Install the assembled sleeve, flange and springs onto the motorcycle and hand tighten the two marked stock nuts (Figure 5).

! **WARNING: do not fully tighten the nuts yet!**

✂ **INSTALLATION TIP: use new stock exhaust port gasket.**

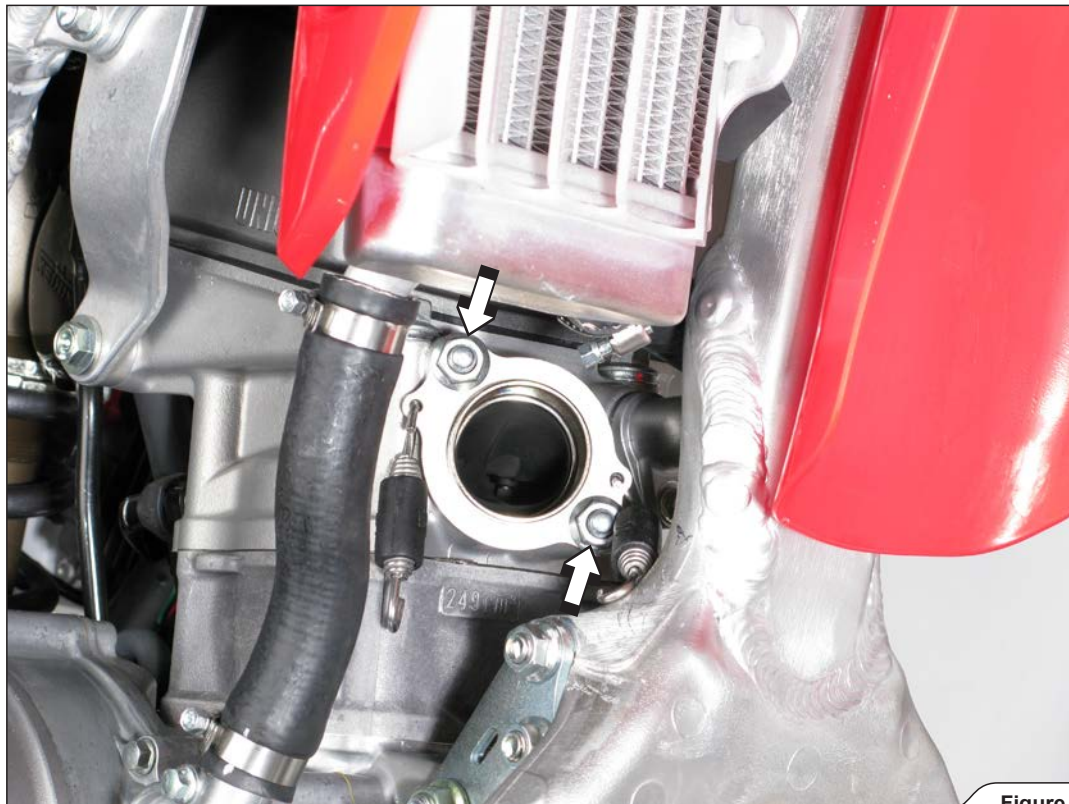


Figure 5

3. Assemble the carbon-fiber heatshield onto the header tube as shown, using additional Akrapovič bolts and heat resistant washers (Figure 6, 7, 8).

! **WARNING: do not over tighten the bolts, or you can damage the washers or carbon-fiber heatshield!**



Figure 6



Figure 7

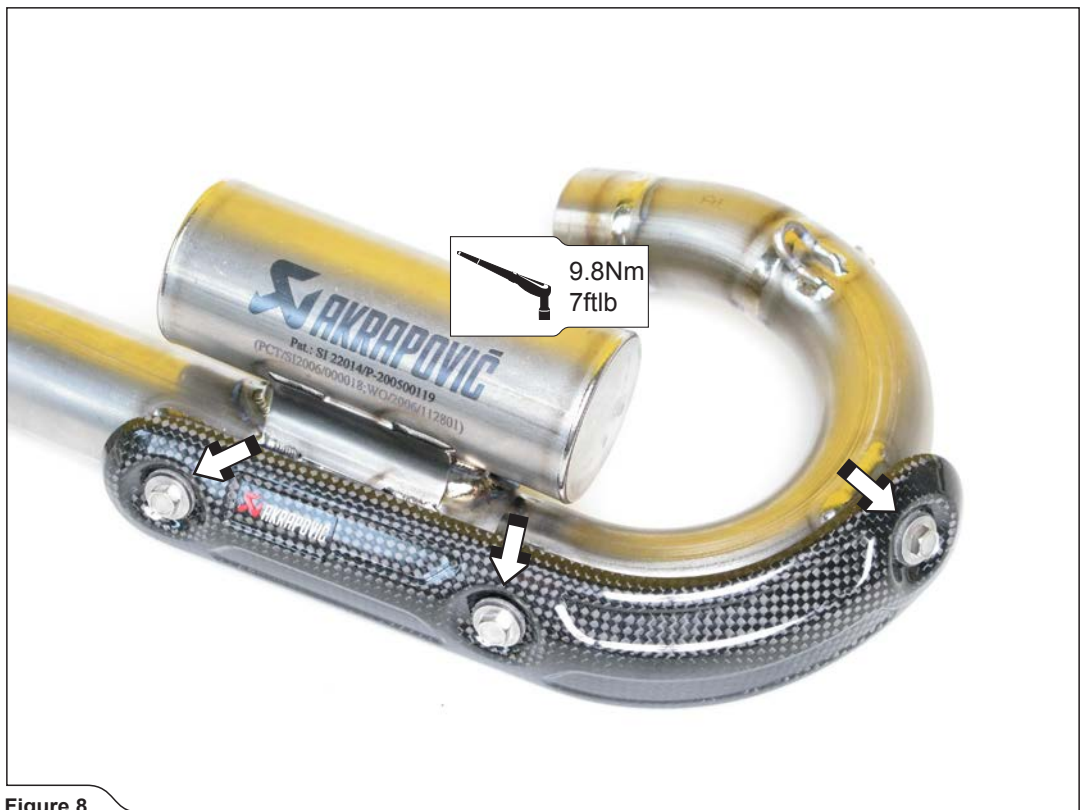
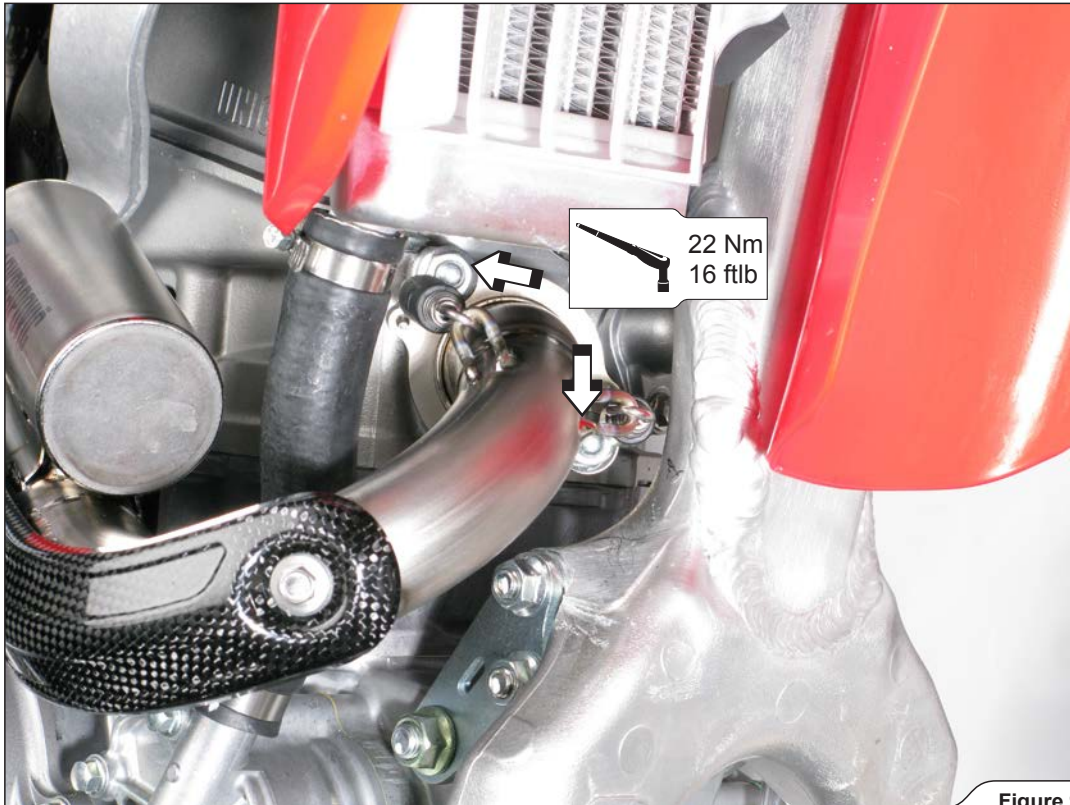


Figure 8



4. Insert the header tube into the sleeve, attach the springs and tighten the nuts to a specified torque (**Figure 9**).  
**!** **WARNING:** before tightening the nuts, make sure, that springs pull the header tube all the way into the sleeve – use rubber mallet if necessary to tap the connection into place!



5. Correctly assemble Akrapovič aluminium eccentric spacers, washer and bolt onto the muffler bracket as shown (**Figure 10, 11**).  
**!** **WARNING:** the aluminium spacers are not the same thickness. Make sure, you assemble them correctly!





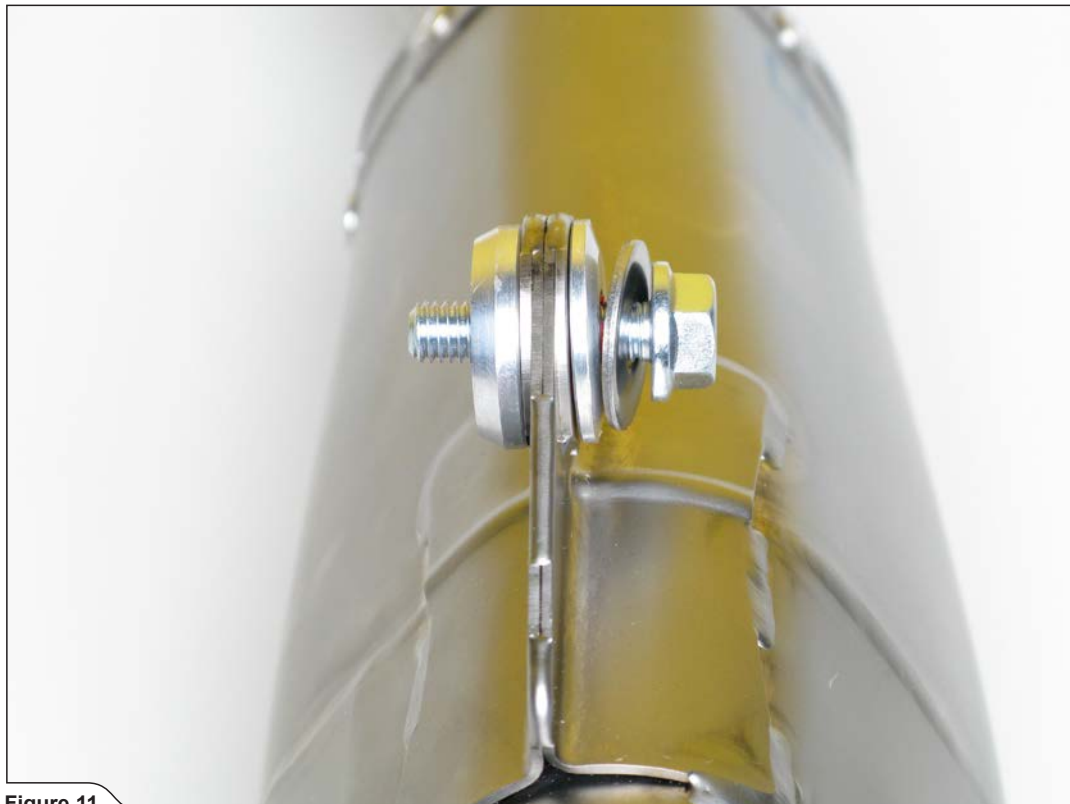


Figure 11

6. Position the muffler correctly and slide it onto the outlet side of the header pipe and attach the spring (Figure 12).  
**! WARNING:** make sure, that spring pull the muffler all the way onto the header tube – use rubber mallet if necessary to tap the connection into place!  
**✂ INSTALLATION TIP:** for Evolution exhaust sistem only: coat the interior side of the input bush of the muffler with Akrapovič ceramic anti-seizing grease (white tube).



Figure 12

7. Rotate both aluminium eccentric spacers simultaneously, till bolt holes align with subframe thread (**Figure 13**).



Figure 13

8. Align the muffler in respect to the motorcycle and tighten the upper muffler bracket onto the subframe, using Akrapovič bolt and washer and lower bracket using stock bolt (**Figure 14**).



Figure 14

9. Reattach the stock right side panel and tighten the marked stock bolts to a specified torques (**Figure 15**).



Figure 15

#### Final installation:

Clean grease spots:

- Muffler – titanium outer sleeve: use a soft cloth sprayed with a multi-purpose spray lubricant (WD-40 or equivalent).
- Muffler – carbon-fiber outlet cap: use a soft dry cloth.
- RACING - stainless steel muffler link pipe and header tube: use a soft cloth sprayed with a contact cleaner, then wipe with a soft dry cloth
- EVOLUTION - titanium muffler link pipe and header tube: use a soft cloth sprayed with a multi-purpose spray lubricant (WD-40 or equivalent).

Cleaning will prevent spots from burning onto the surface. Do not use aggressive chemical cleaners, because they can damage the sticker.

- ! **WARNING: make sure all the bolts are sufficiently tightened. In case the exhaust system touches the cowling or other parts repeat the adjustment of the exhaust system or contact your authorized dealer.**
- ! **WARNING: check vehicle manufacturer manual for tightening torques (for dismantled stock parts)!**
- ! **IT IS NORMAL IF WHITE SMOKE COMES OUT OF THE MUFFLER ON FIRST OPERATION.**
- ! **DO NOT STAND BEHIND THE MUFFLER ON FIRST OPERATION.**
- ! **DO NOT USE AUTOMOTIVE WHEEL CLEANERS OR ANY CLEANING PRODUCTS WHICH CONTAIN ACIDIC ADDITIVES TO CLEAN AKRAPOVIČ EXHAUST SYSTEMS.**

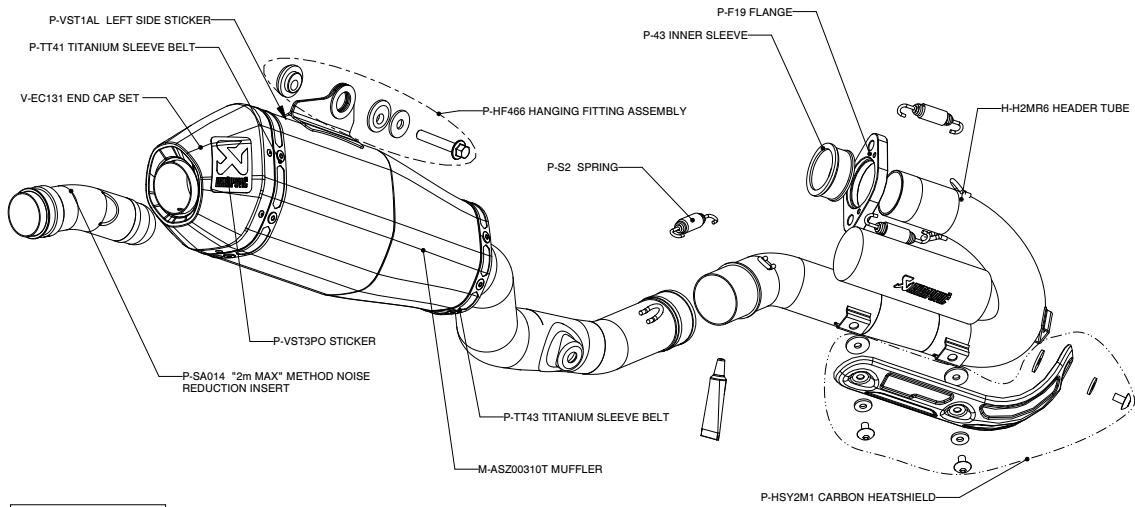
#### MAINTENANCE OF THE AKRAPOVIČ EXHAUST SYSTEM

- Clean the titanium exhaust components with a multi-purpose spray lubricant (WD-40 or equivalent), carbon fiber exhaust components with soft and dry cloth and stainless steel components with soft cloth sprayed with contact cleaner, then wipe with soft and dry cloth. A change in the color of the exhaust system is normal due to the high temperatures.
- Periodically make sure all the bolts and springs are sufficiently tight.



**HONDA CRF 250, Complete exhaust system/Racing line**

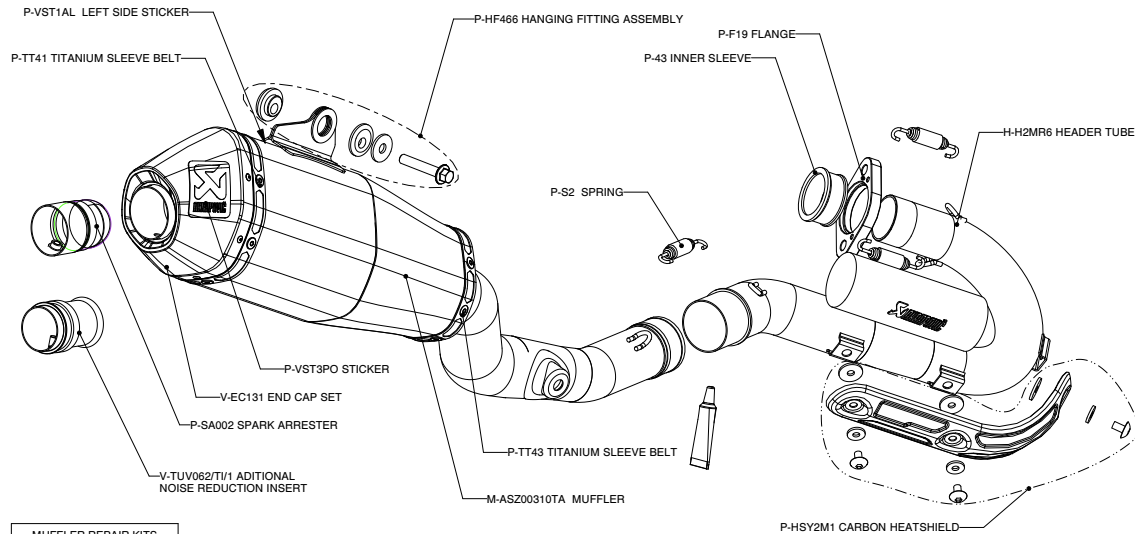
**Product code: S-H2MR2-ASZT**



MUFFLER REPAIR KITS	
KIT	Part Nr.
REPACK	P-RPCK4
SLEEVE	P-RKS309ASZ37

**HONDA CRF 250, Complete exhaust system/Racing line with spark arrester**

**Product code: S-H2MR2-ASZTA**

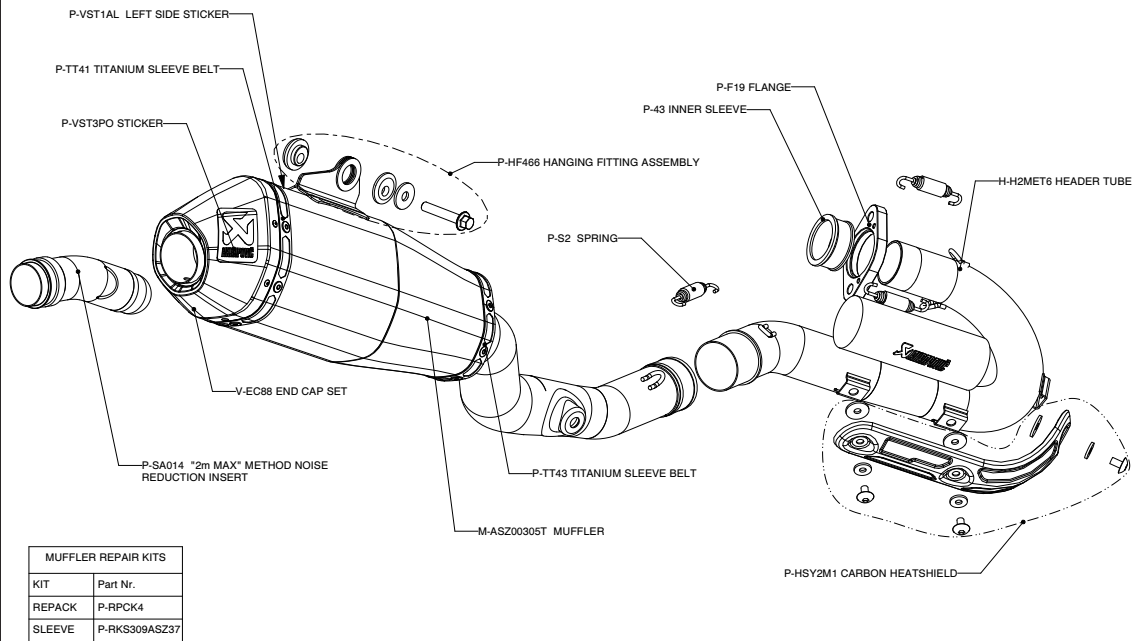


MUFFLER REPAIR KITS	
KIT	Part Nr.
REPACK	P-RPCK4
SLEEVE	P-RKS309ASZ37/1



**HONDA CRF 250, Complete exhaust system/Evolution line**

**Product code: S-H2ME2-ASZT**



**HONDA CRF 250, Complete exhaust system/Evolution line with spark arrester**

**Product code: S-H2ME2-ASZTA**

