



**AKRAPOVIC SLIP-ON, SLIP-ON STREET LEGAL & SLIP-ON SP SERIES
EXHAUST SYSTEM
for the
HONDA CBR 600 RR (2005-)**

Congratulations on purchasing an Akrapovic exhaust system. Please read these installation instructions carefully. If you have any trouble installing the system please contact your authorized dealer!

IMPORTANT INFORMATION

Exclusion of Certain Liability

1. The manufacturer, importer or dealer shall not be liable for any incidental damage including personal injury or any other damages caused by improper installation or operation of the Akrapovic exhaust system. When installing the Akrapovic exhaust system be careful that the exhaust system does not touch other parts sensitive to high temperature.
2. Akrapovic makes no representation or warranties with regard to damage caused by the improper installation, use and maintenance of the Akrapovic exhaust system. The warranty is limited to defects recognized by our technical department and to normal use, and excludes items subject to normal wear (gaskets and damping wool). The guarantee is void in case of accident, modification, improper or competition use.
3. Do not attempt to install the Akrapovic exhaust system on a motorcycle for which it was not made or tested by Akrapovic.
4. When the exhaust system gets very hot during operation, be careful not to burn yourself on the exhaust system or parts which are in direct contact with it, even when the motor is not running. Also protect other people, especially children, from the injuries mentioned above.
5. In some cases Akrapovic exhaust system kits contain chemical products (ceramic anti-seizing grease; bolt sealant). Handle with care, do not inhale or swallow. Avoid excessive contact with skin, eyes or mucous membranes. Keep out of reach of children.
6. Technical specifications of Akrapovic exhaust systems and related products subject to change without notice.

Trademarks

The Akrapovic Exhaust System Technology logo is a registered trademark of Akrapovic d.d.

Akrapovic website

Information about Akrapovic exhaust systems and related products is available on the Akrapovic website at:
<http://www.akrapovic-exhaust.com/>

Copyright

No part of the Akrapovic exhaust system or its documentation may be reproduced or distributed in any form or by any means without the prior written authorization of the Akrapovic company.




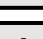
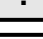
© Akrapovic d.d. All rights reserved.

Symbols

The following symbols are used throughout these installation instructions:



INSTALLATION INSTRUCTIONS

	BEFORE INSTALLING CHECK SCHEMATIC OF THE EXHAUST SYSTEM!
	IF ANY ITEMS IN THE AKRAPOVIC EXHAUST SYSTEM PACKAGE ARE MISSING PLEASE CONTACT YOUR AUTHORIZED DEALER. KEEP THE SCHEMATIC FOR FUTURE REFERENCE.
	THESE INSTALLATION INSTRUCTIONS MUST BE READ CAREFULLY IN ORDER TO ENSURE PROPER INSTALLATION AND OPERATION OF THE AKRAPOVIC EXHAUST SYSTEM.
	THE EXHAUST SYSTEM CAN BE EXTREMELY HOT. ALLOW THE MOTORCYCLE TO COOL DOWN BEFORE BEGINNING INSTALLATION.
	WE ADVISE YOU TO LEAVE INSTALLATION TO A QUALIFIED SERVICEMAN. IMPROPER INSTALLATION MAY RESULT IN A SHORTER LIFETIME OF THE EXHAUST SYSTEM AND/OR DAMAGE TO THE MOTORCYCLE.

REMOVAL OF STOCK EXHAUST SYSTEM

1. put the motorcycle on a side stand, we recommend a racing stand
2. remove the lower part of the cowling (**Figure 1, 2**)
3. remove the bolt of the collector hanging bracket (**Figure 3, 4**)
4. remove passenger and driver's seats (**Figure 5, 6, 7**)
5. unscrew the bolts and plastic fasteners from the rear cowling (fastback) and side panels (**Figure 8, 9, 10**)
6. remove the side panels (**Figure 11**)
7. disconnect the tail light electrical connector (**Figure 12**) and remove the rear cowling (**Figure 13**)
8. disconnect the license plate light / turn signals electrical connectors (**Figure 14**)
9. unscrew the upper bolts from the license plate / turn signals chassis hanging bracket and remove the bracket (**Figure 15, 16**)
10. unscrew the bolts of the driver's right footpeg chassis hanging bracket (**Figure 17, 18, 19**)
11. disconnect the electrical connector of the rear brake switch (**Figure 20**)
12. slightly remove the footpeg / rear brake hanging bracket. **WARNING: do not disconnect the rear brake fluid container!** (**Figure 21**)
13. remove the passenger right footpeg chassis hanging bracket (**Figure 22, 23**)
14. unscrew the bolts from the link pipe ALU / plastic heat shield and remove the shield (**Figure 24, 25**)
15. unscrew the bolt from the link pipe metal bracket (**Figure 26**)
16. unscrew the bolts from the muffler chassis hanging bracket and remove the muffler together with welded link pipe (**Figure 27, 28**)

INSTALLATION OF THE AKRAPOVIC SLIP-ON EXHAUST SYSTEM

installing the independent link pipe:

1. coat the bolt and interior side of the metal clamp with Akrapovic anti-seize lead-free copper paste (black tube) and correctly install the metal clamp onto the link pipe
2. slide the Akrapovic link pipe onto the stock collector (**Figure 29**)
3. make sure the link pipe is not touching the frame and other parts

installing the muffler:

1. correctly position and hand tighten the upper part of the carbon-fiber clamp onto the stock chassis hanging bracket; use the bolts and nuts included in the Akrapovic kit (**Figure 30, 31, 32, 33**)
2. **for titanium link pipe only:** coat the interior side of the inlet cap with Akrapovic ceramic anti-seizing grease (white tube)
3. position the muffler correctly and slide it onto the outlet side of the link pipe (**Figure 34, 34a**)
4. attach the springs at the Akrapovic muffler - link pipe joint (**Figure 35, 35a**)
5. correctly position and tighten the lower part of the carbon-fiber clamp (**Figure 36, 37, 37a**)
6. tighten the upper part of the carbon-fiber clamp (**Figure 38**)
7. make sure the muffler is not touching other parts of the motorcycle

final installation:

1. tighten the bolt of the link pipe metal bracket (**Figure 39**)
2. tighten the metal clamp at the Akrapovic link pipe – stock collector joint (**Figure 40**)
3. clean grease spots:
 - a. muffler – titanium outer sleeve: use a soft cloth sprayed with a multi-purpose spray lubricant (WD-40 or equivalent)
 - b. muffler – carbon-fiber outer sleeve: use a soft cloth
 - c. stainless steel link pipe: use a soft cloth sprayed with a contact cleaner, then wipe with a soft dry cloth
 - d. titanium steel link pipe: use a soft cloth sprayed with a multi-purpose spray lubricant (WD-40 or equivalent)Cleaning will prevent spots from burning onto the surface. Do not use aggressive chemical cleaners, because they can damage the sticker.
4. reattach the ALU / plastic heat shield (**Figure 41, 42**)
5. reattach the footpeg / rear brake hanging bracket (**Figure 43**)
6. reconnect the electrical connector of the rear brake switch (**Figure 44**)
7. tighten fully the bolts of the heat shield and footpeg / rear brake hanging bracket (**Figure 45, 46, 47**)
8. tighten the bolt of the stock collector chassis hanging bracket (**Figure 48**)
9. reattach the lower part of the cowling (**Figure 49**)

10. reattach the passenger right footpeg chassis hanging bracket (**Figure 50**)
11. reattach the license plate / turn signals chassis hanging bracket (**Figure 51, 52**)
12. **for Hexagonal shaped muffler:** reattach the license plate / turn signals chassis hanging bracket (**Figure 53, 53a, 53b, 53c**)
13. reconnect the license plate light / turn signals electrical connectors (**Figure 54**)
14. reposition the rear cowling (fastback) (**Figure 55**)
15. reconnect the tail light electrical connector (**Figure 56**)
16. reattach the side panels (**Figure 57**)
17. tighten the bolts for the rear cowling (fastback) (**Figure 58**)
18. reattach the driver's and passenger seat (**Figure 59, 60, 61**)
19. position of the installed Akrapovic Slip-on system (**Figure 62, 62a**)

Check the operation of the brakes and suspension. Make sure all the bolts are sufficiently tightened. In case the exhaust system touches the cowling or other parts repeat the adjustment of the exhaust system or contact your authorized dealer.

! IT IS NORMAL IF WHITE SMOKE COMES OUT OF THE MUFFLER ON FIRST OPERATION.

! DO NOT STAND BEHIND THE MUFFLER ON FIRST OPERATION.

! DO NOT USE AUTOMOTIVE WHEEL CLEANERS OR ANY CLEANING PRODUCTS WHICH CONTAIN ACIDIC ADDITIVES TO CLEAN AKRAPOVIC EXHAUST SYSTEMS.

MAINTENANCE OF THE AKRAPOVIC EXHAUST SYSTEM

1. Clean the titanium muffler outer sleeve with a multi-purpose spray lubricant (WD-40 or equivalent) and carbon-fiber outer sleeve with soft and dry cloth. Do not use aggressive chemical cleaners, because they can damage the sticker. A change in the color of the exhaust system is normal due to the high temperatures.
2. The wearing out of the muffler silencing material depends on the type of the motor and riding style. Contact your dealer/serviceman if visible changes appear on muffler's outer sleeve or the noise level is increased.
3. Periodically ensure that all the bolts and springs are sufficiently tight.

Photos:



Figure 1



Figure 2



Figure 3



Figure 4



Figure 5



Figure 6



Figure 7



Figure 8



Figure 9



Figure 10



Figure 11



Figure 12



Figure 13

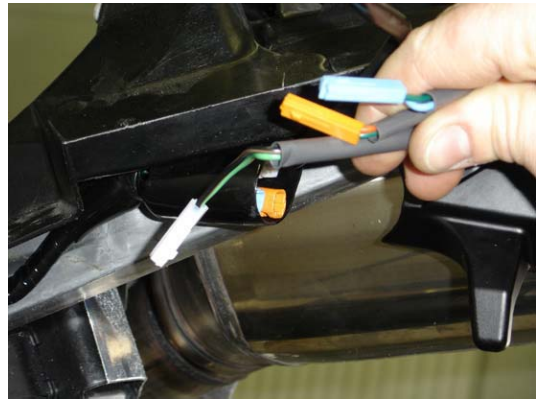


Figure 14



Figure 15



Figure 16

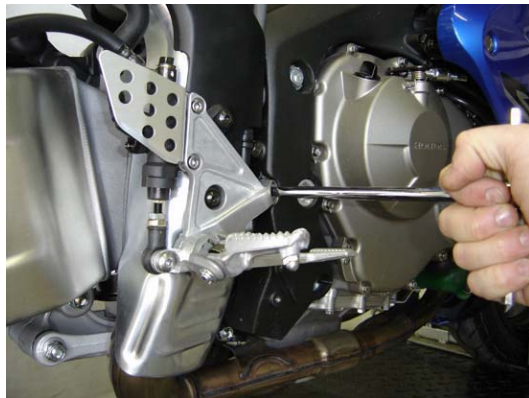


Figure 17

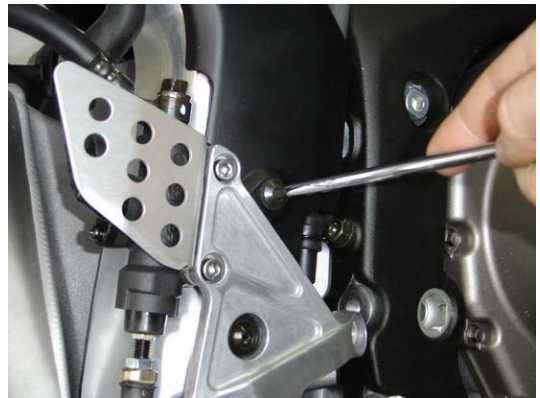


Figure 18



Figure 19



Figure 20



Figure 21



Figure 22



Figure 23



Figure 24



Figure 25



Figure 26



Figure 27



Figure 28



Figure 29



Figure 30



Figure 31



Figure 32



Figure 33



Figure 34



Figure 34a



Figure 35



Figure 35a



Figure 36



Figure 37



Figure 37a



Figure 38



Figure 39

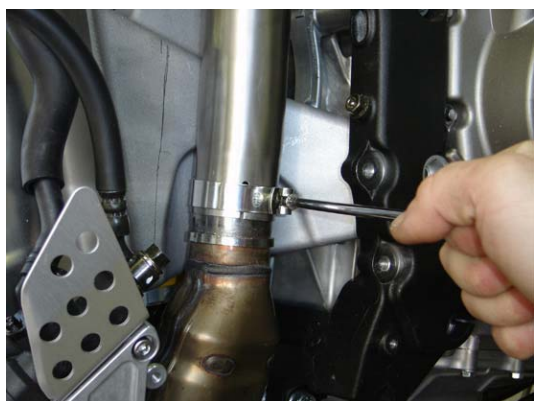


Figure 40



Figure 41



Figure 42

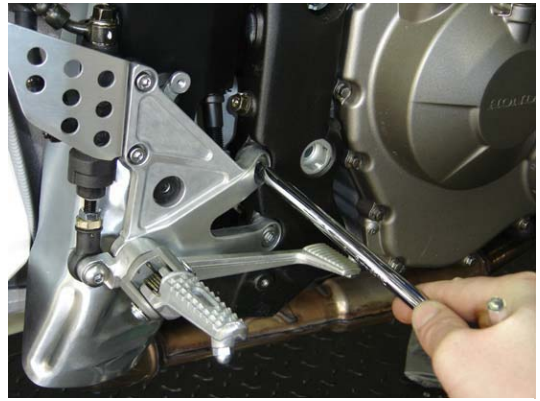


Figure 43



Figure 44



Figure 45



Figure 46

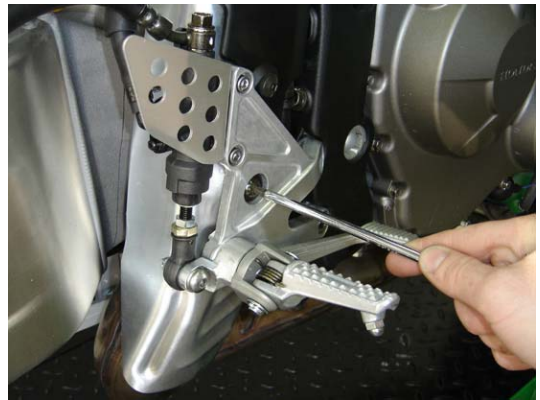


Figure 47



Figure 48



Figure 49

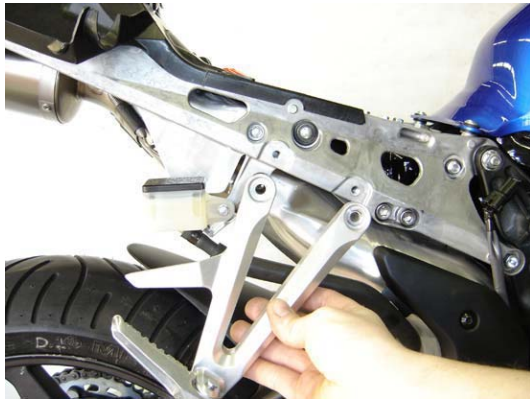


Figure 50



Figure 51



Figure 52



Figure 53



Figure 53a



Figure 53b



Figure 53c



Figure 54



Figure 55



Figure 56



Figure 57



Figure 58



Figure 59



Figure 60



Figure 61



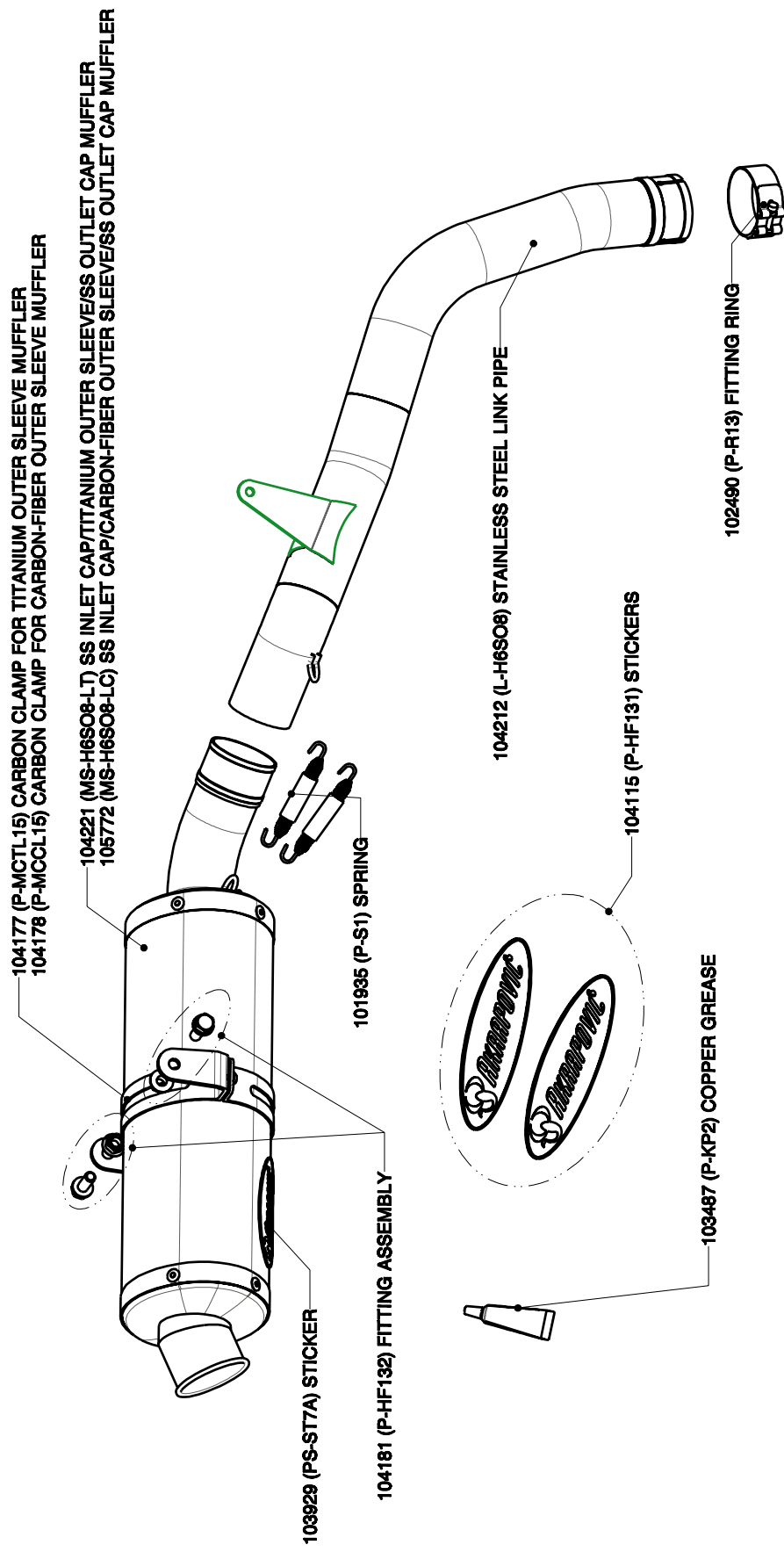
Figure 62



Figure 62a

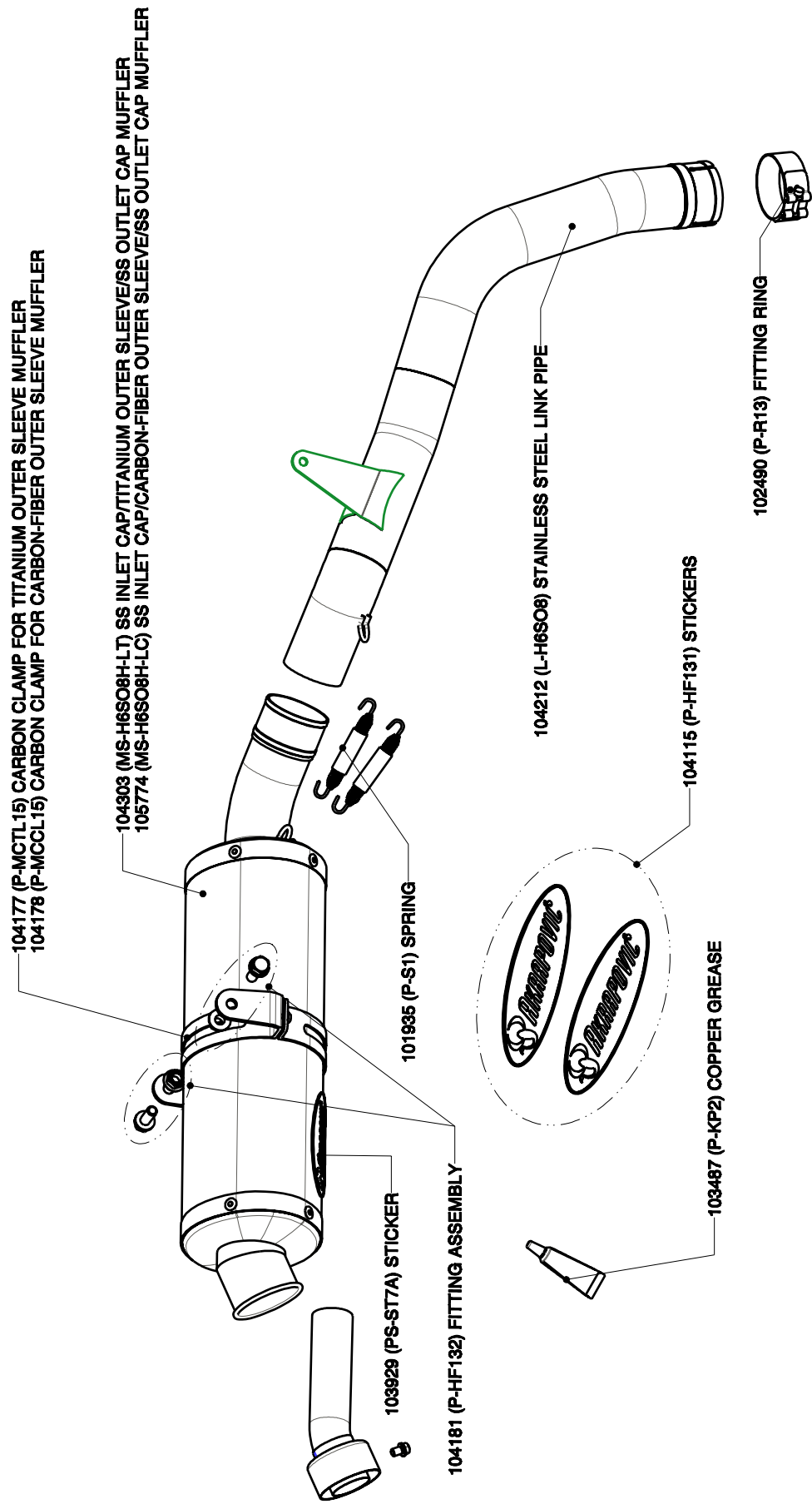
HONDA CBR 600 RR Slip-on exhaust system/SP series, model year: 2005

**Product code: 104220 (SS-H6SO8-T)
105771 (SS-H6SO8-C)**



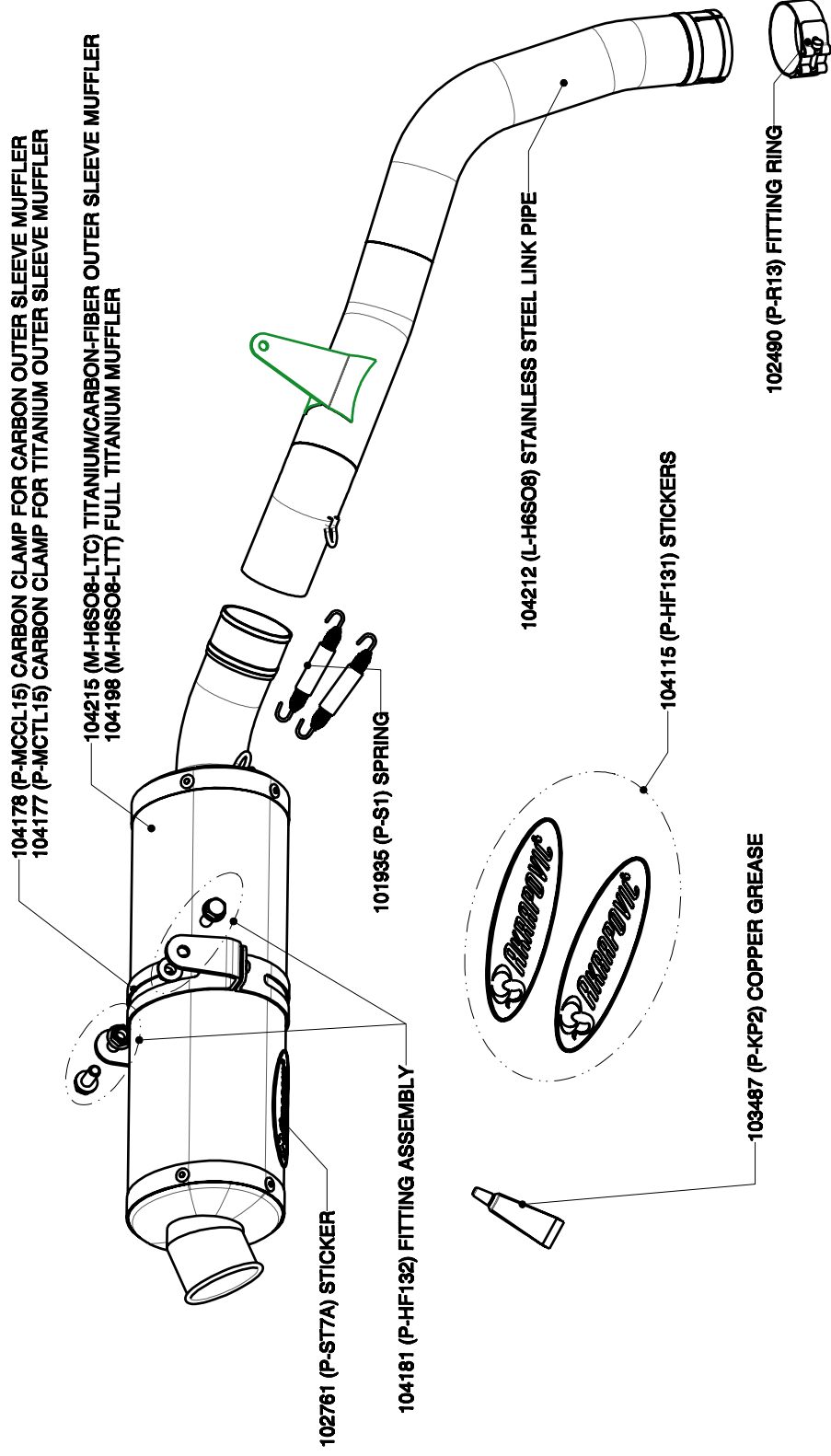
HONDA CBR 600 RR Homologated/Slip-on exhaust system/SP series, model year: 2005

Product code: 104302 (SS-H6SO8-HT)
105773 (SS-H6SO8-HC)



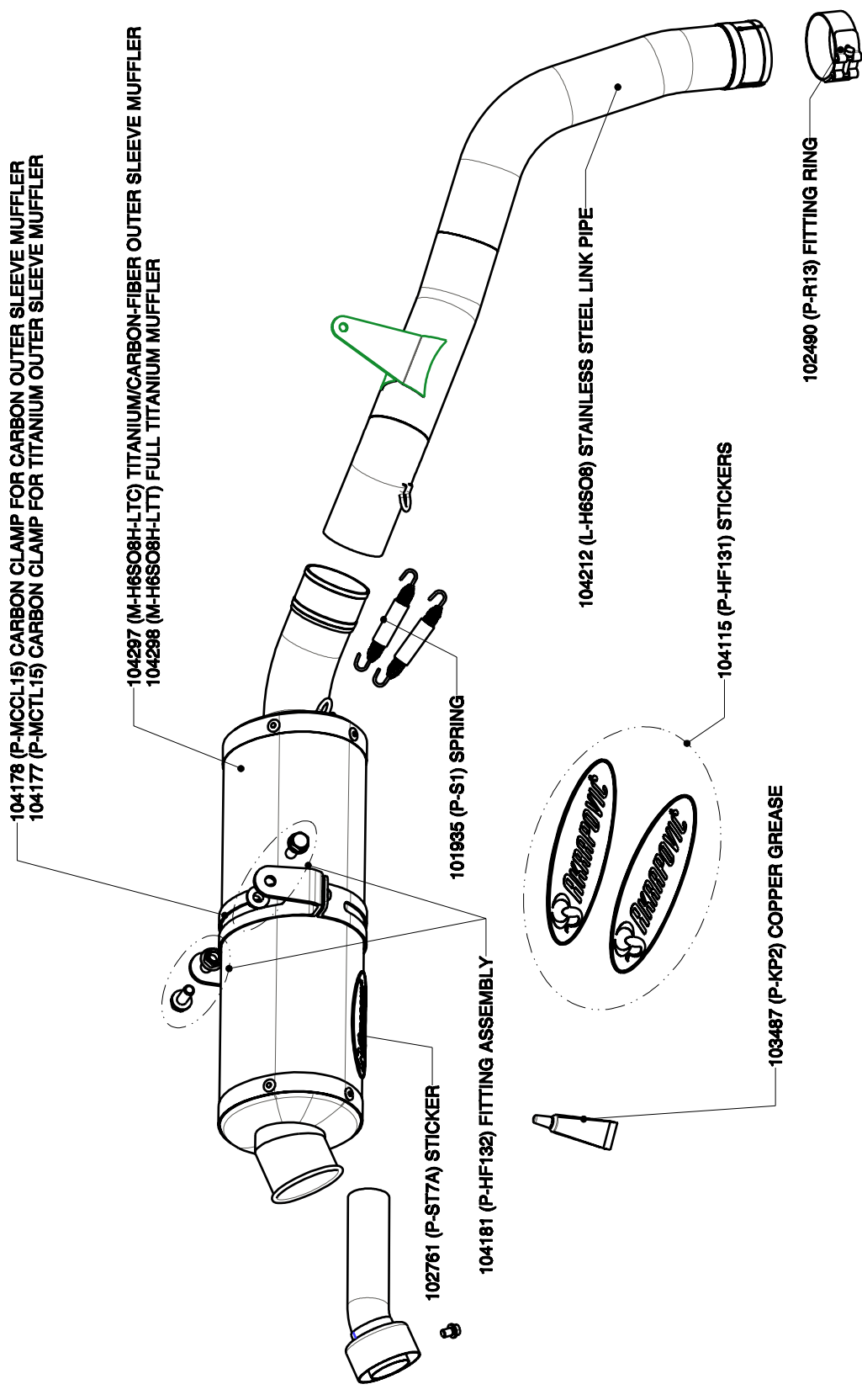
HONDA CBR 600 RR Slip-on exhaust system, model year: 2005

**Product code: 104195 (S-H6SO8-TC)
104196 (S-H6SO8-TT)**



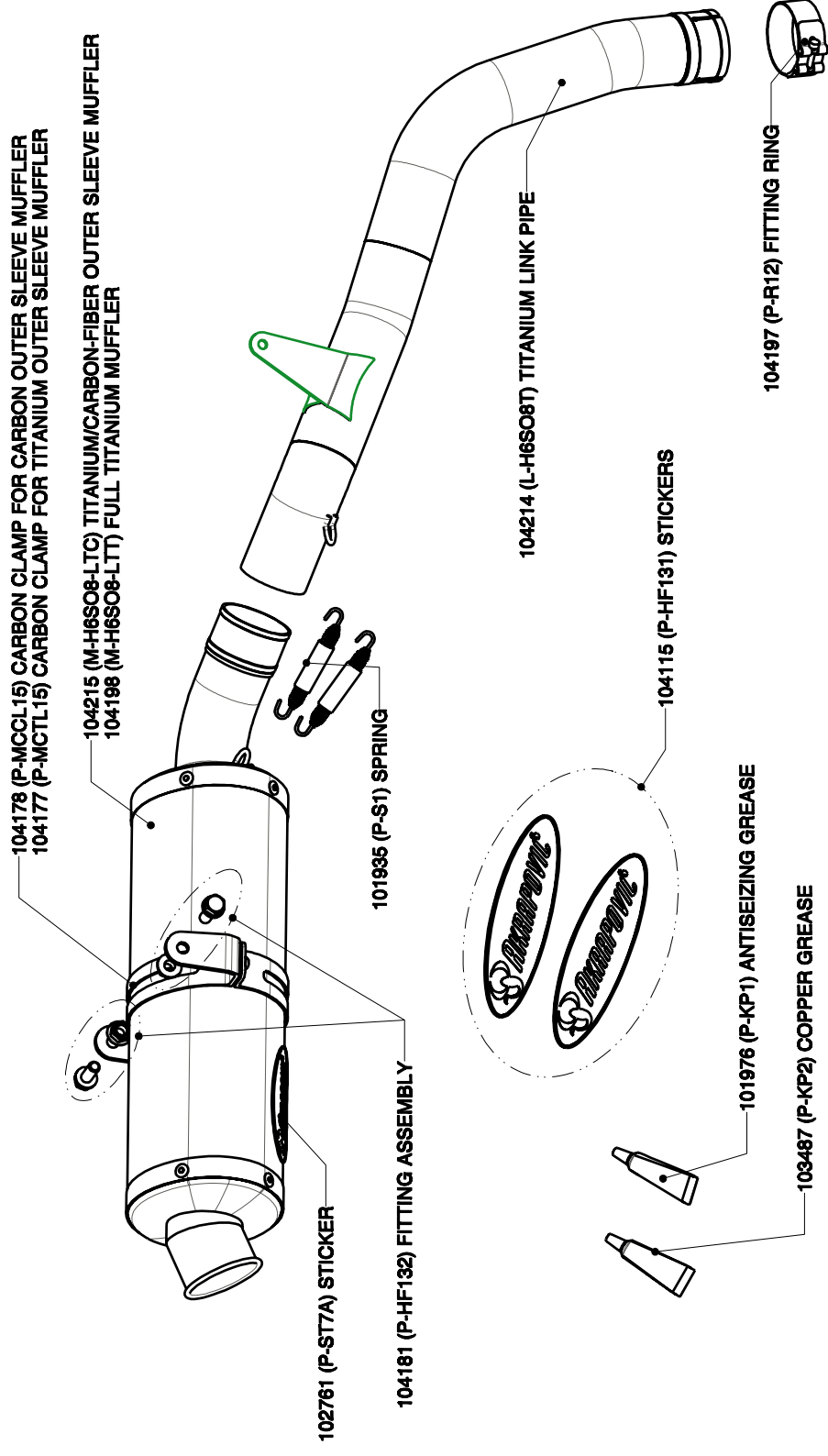
HONDA CBR 600 RR Homologated/Slip-on exhaust system, model year: 2005

**Product code: 104299 (S-H6SO8-HTC)
104301 (S-H6SO8-HTT)**



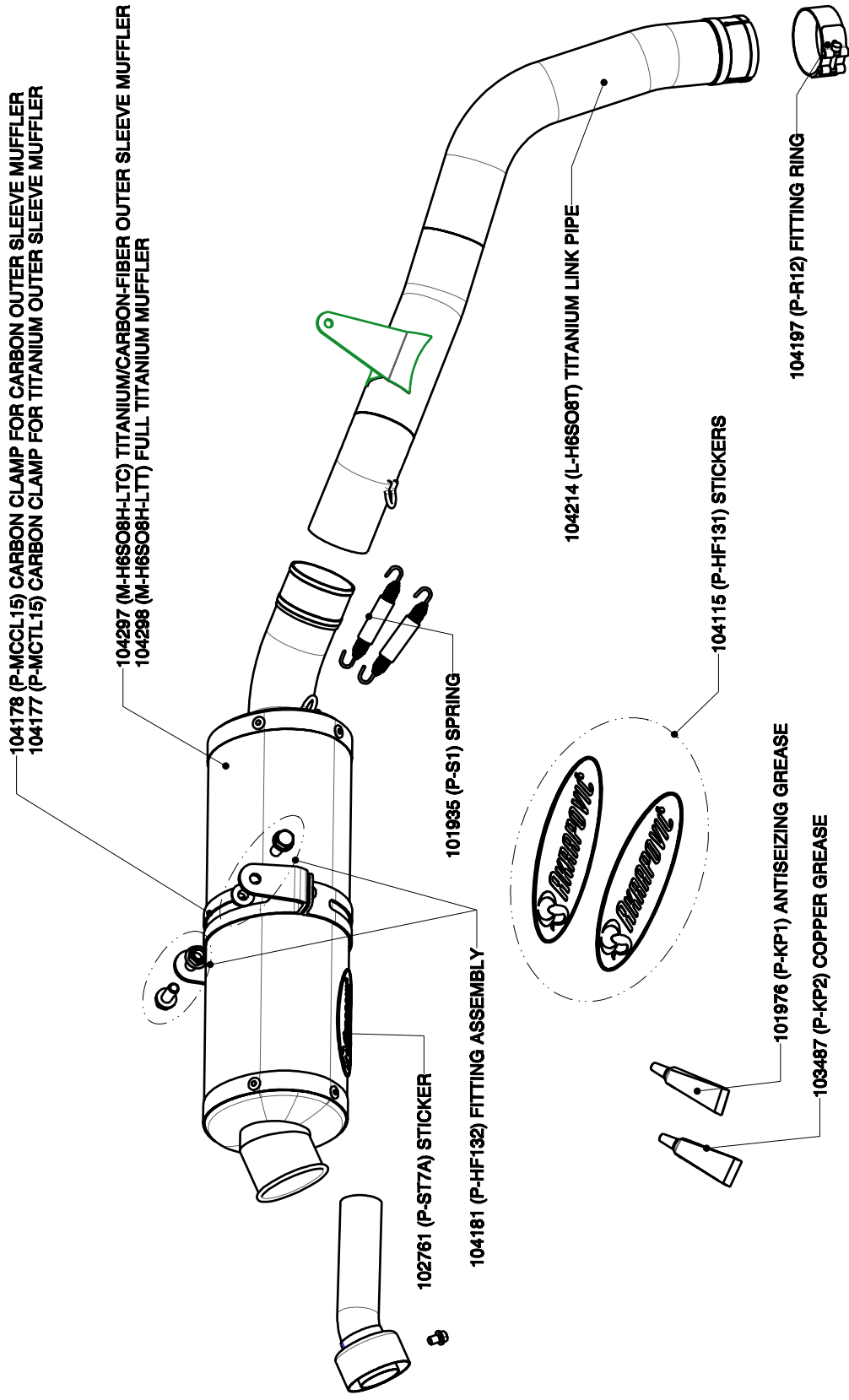
HONDA CBR 600 RR Slip-on exhaust system, model year: 2005

**Product code: 104216 (S-H6SO8T-TC)
104217 (S-H6SO8T-TT)**



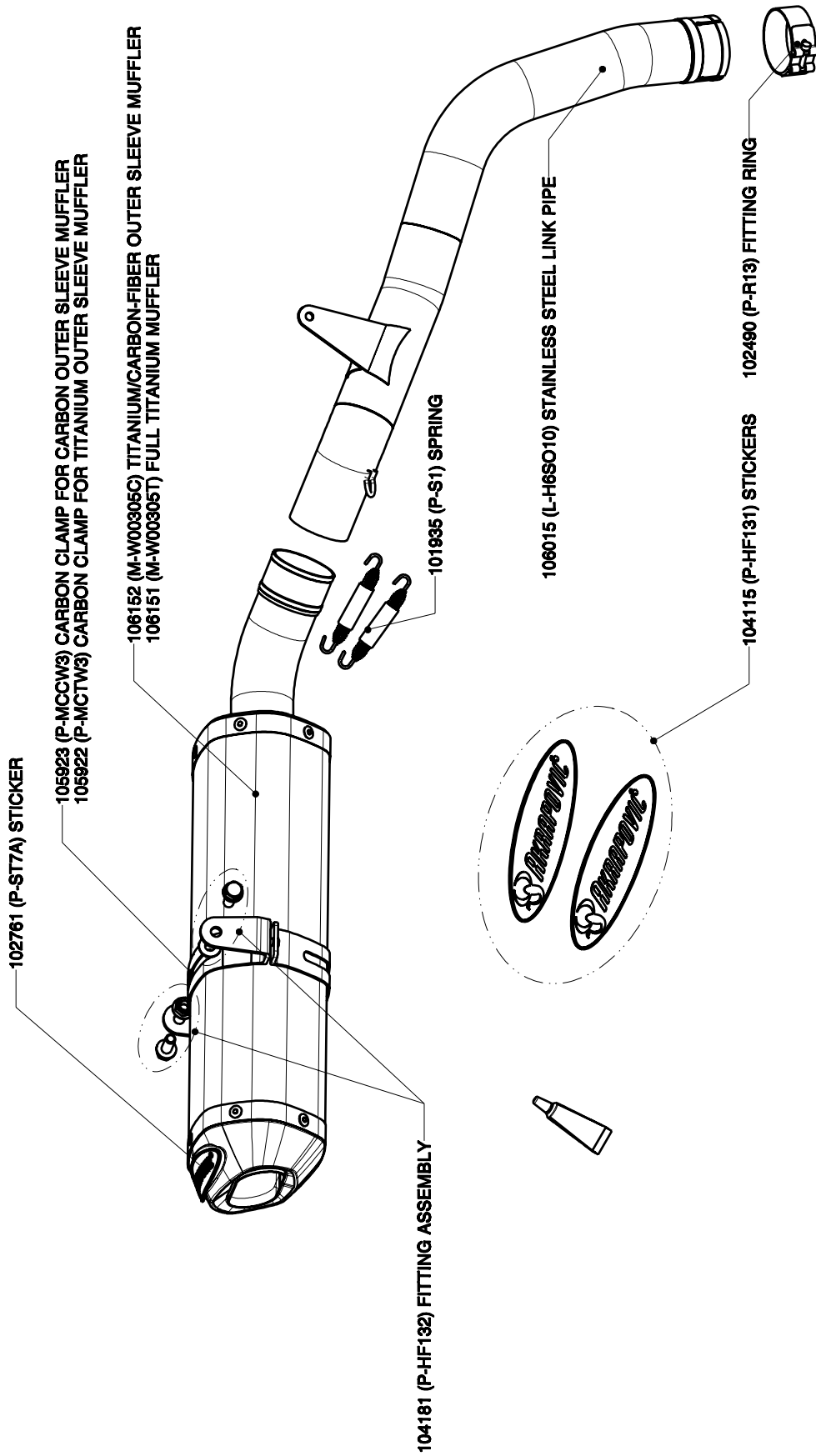
HONDA CBR 600 RR Homologated/Slip-on exhaust system, model year: 2005

**Product code: 104295 (S-H6SO8T-HTC)
104296 (S-H6SO8T-HTT)**



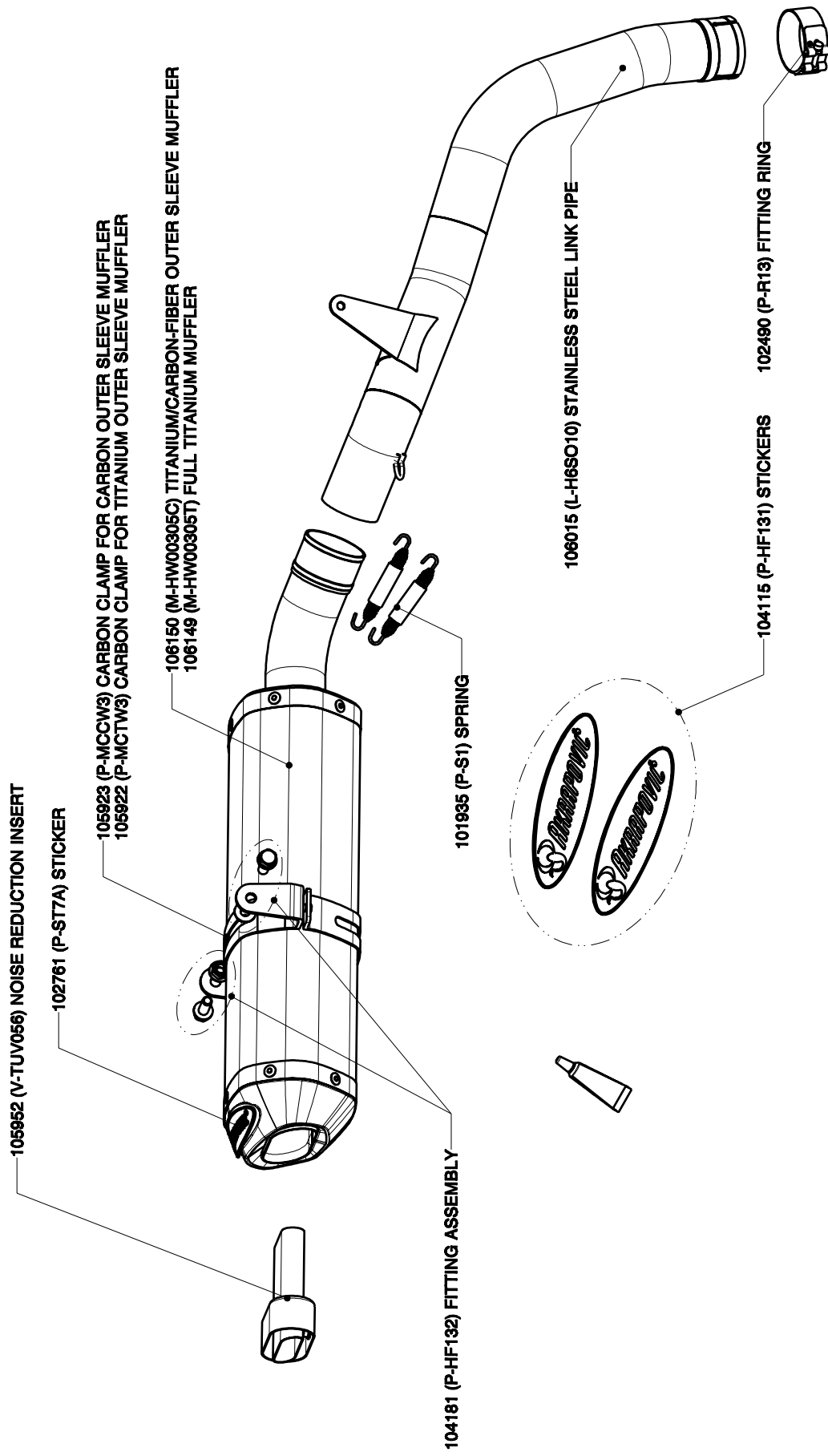
HONDA CBR 600 RR 2005 - 2006 / Slip-on exhaust system

**Product code: 106133 (S-H6SO10-WC)
106132 (S-H6SO10-WT)**



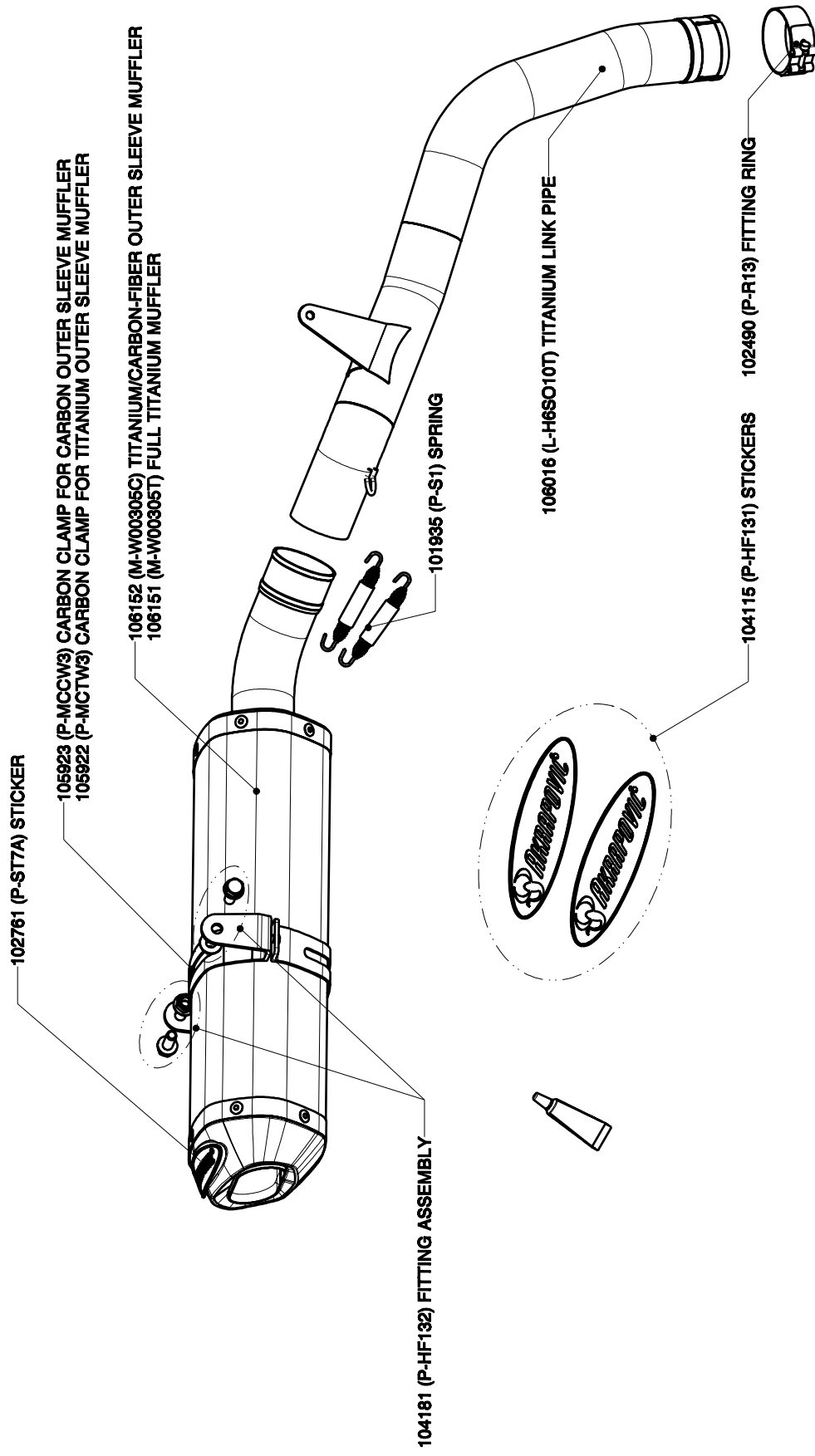
HONDA CBR 600 RR 2005 - 2006 / Slip-on exhaust system / street legal

Product code: 106131 (S-H6SO10-HWC)
106130 (S-H6SO10-HWT)



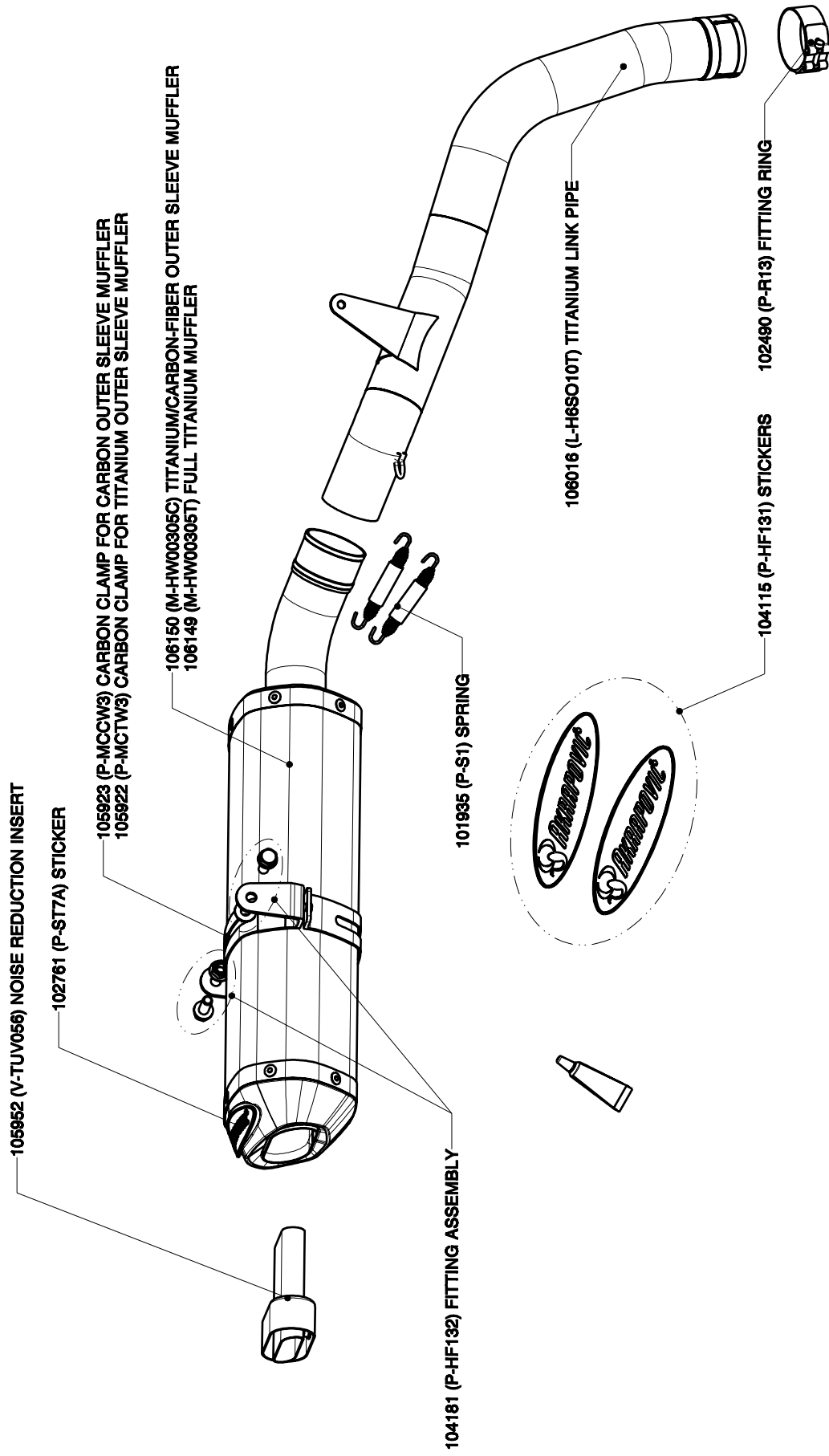
HONDA CBR 600 RR 2005 - 2006 / Slip-on exhaust system / Titanium link pipe

Product code: 106137 (S-H6SO10T-WC)
106136 (S-H6SO10T-WT)



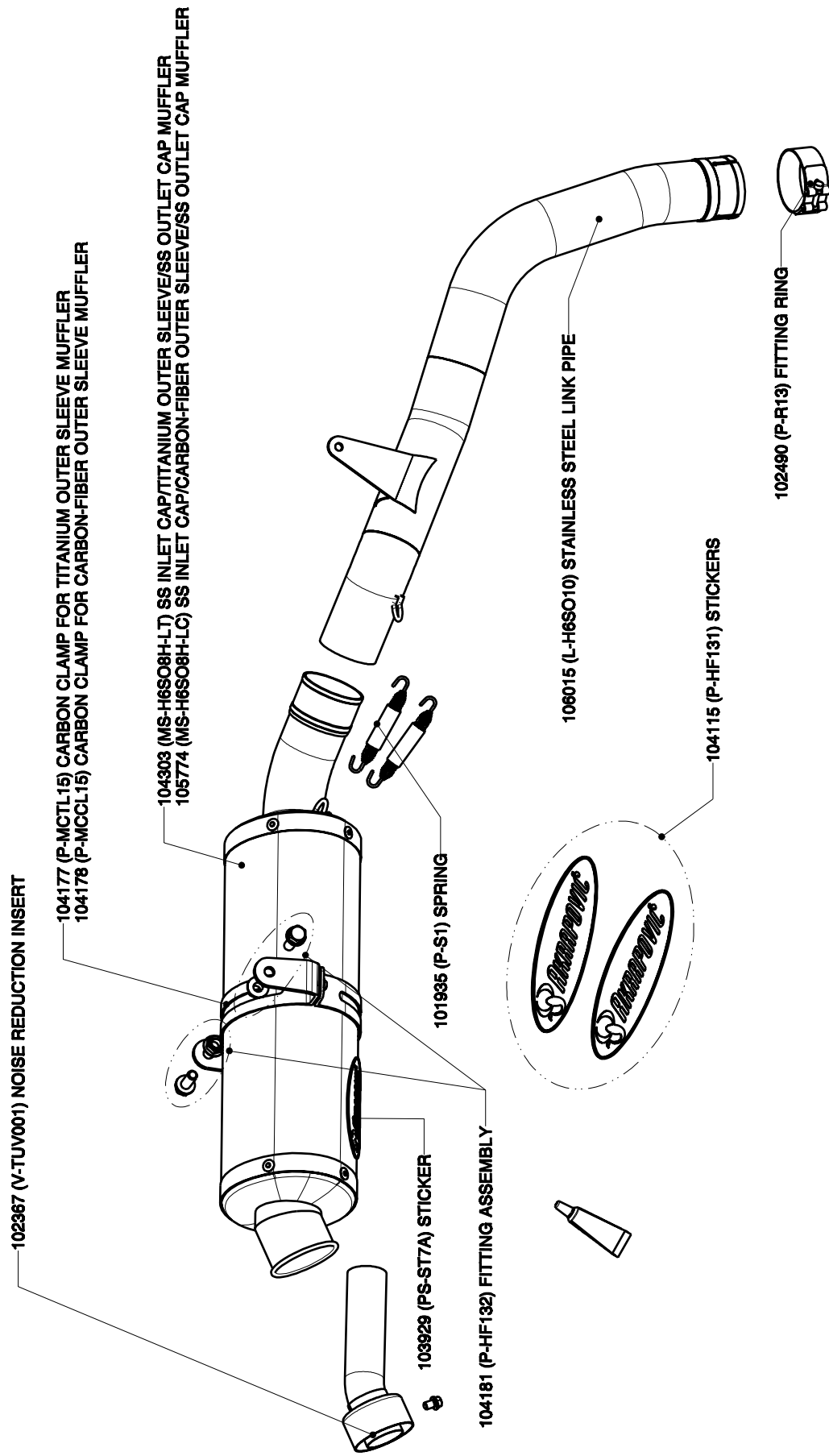
HONDA CBR 600 RR 2005 - 2006 / Slip-on exhaust system / Titanium link pipe / street legal

Product code: 106135 (S-H6SO10T-HWC)
106134 (S-H6SO10T-HWT)



HONDA CBR 600 RR 2006 / Slip-on exhaust system / SP series / street legal

Product code: 106069 (SS-H6SO10-HLT)
106070 (SS-H6SO10-HLC)



WARNING:

Please note that certain aftermarket exhaust systems may not comply with applicable California laws and regulations, and may therefore be prohibited for use on California highways or roads, or on roads or vehicles otherwise subject to emissions control requirements.

Akrapovič exhaust systems for automobiles and motorcycles mounted downstream of the catalytic converter (also known as “cat-back systems”) are considered “replacement parts” in California by the California Air Resources Board (CARB), and do not require an exemption or executive order from CARB to be sold in California. However, California prohibits the use of any aftermarket exhaust system that modifies, removes or replaces original equipment catalysts, unless CARB has issued an Executive Order as to such part or system.

Further, Akrapovič parts or exhaust systems used or intended for use on “racing vehicles” (i.e. a competition vehicle used exclusively for competition on closed-course circuits) do not require an exemption or Executive Order from CARB to be sold in California. However, such parts are prohibited from use on California public highways or roads, even if occasionally used “off-road.”