



## Installation instructions

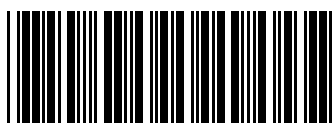
Akrapovič Exhaust Systems

**RACING & EVOLUTION**

for the

**Honda CBR 1000RR**

**Honda CBR 1000RR ABS**



\*502262\*

[www.akrapovic.com](http://www.akrapovic.com)

**Congratulations on purchasing an Akrapovič exhaust system. Please read these installation instructions carefully. If you have any trouble installing the system please contact your authorized dealer!**

## **IMPORTANT INFORMATION**

### **Exclusion of Certain Liability**

1. The manufacturer, importer or dealer shall not be liable for any incidental damage including personal injury or any other damages caused by improper installation or operation of the Akrapovič exhaust system. When installing the Akrapovič exhaust system be careful that the exhaust system does not touch other parts sensitive to high temperature.
2. Akrapovič makes no representation or warranties with regard to damage caused by the improper installation, use and maintenance of the Akrapovič exhaust system. The warranty is limited to defects recognized by our technical department and due to normal use, and excludes items subject to normal wear (gaskets and damping wool). The guarantee is void in case of accident, modification, improper or competition use.
3. Do not attempt to install the Akrapovič exhaust system on a vehicle model for which it was not made or tested by Akrapovič.
4. When the exhaust system gets very hot during operation, be careful not to burn yourself on the exhaust system or parts which are in direct contact with it, even when the engine is not running. Also protect other people, especially children, from the injuries mentioned above.
5. In some cases Akrapovič exhaust system kits contain chemical products (ceramic anti-seizing grease; bolt sealant). Handle with care, do not inhale or swallow. Avoid excessive contact with skin, eyes or mucous membranes. Keep out of reach of children.
6. Technical specifications of Akrapovič exhaust systems and related products are subject to change without notice.

### **Trademarks**

The Akrapovič Exhaust System Technology logo is a registered trademark of Akrapovič d.d.

### **Akrapovič website**

Information about Akrapovič exhaust systems and related products is available on the Akrapovič website at:

**<http://www.akrapovic.com>**

### **Copyright**

No part of the Akrapovič exhaust system or its documentation may be reproduced or distributed in any form or by any means without the prior written authorization of the Akrapovič company.

© Akrapovič, d.d. All rights reserved.

### **Symbols**

The following symbols are used throughout these installation instructions:



**TOOLS REQUIRED**



**TIGHTENING TORQUE**



**INSTALLATION TIP**



**CAUTION OR WARNING**



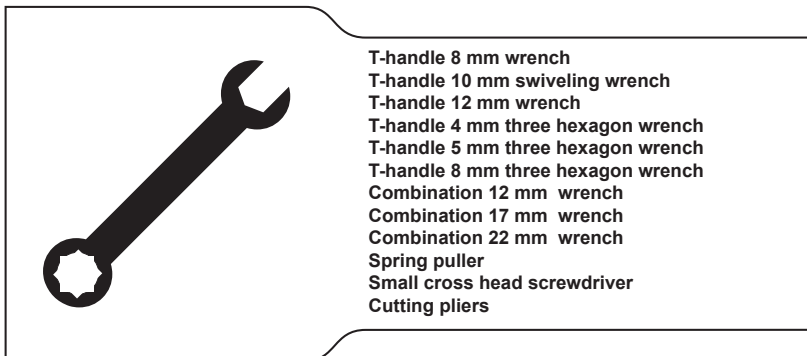
**USE BOLT SEALANT;** Apply 3 to 4 small drops of bolt sealant onto the cleaned and degreased threads before tightening the bolts. **WARNING! Avoid contact with skin, eyes and mucous membranes. Do not inhale fumes. Keep out of reach of children.**



**USE ANTI-SEIZE LEAD-FREE COPPER PASTE** (black tube); Provides trouble-free and long-lasting protection against seizing, corrosion and rusting of bolts, threaded ends, nuts, joints, etc. Also protects against vibration, wear and impact. **WARNING! Avoid eye contact. Avoid excessive skin contact. Keep out of reach of children.**



**USE ANTI-SEIZING GREASE** (white tube); Prevents seizing, corrosion and excessive wear between the titanium components of your exhaust system. **WARNING! Avoid eye contact. Avoid excessive skin contact. Keep out of reach of children.**



**BEFORE INSTALLING, CHECK SCHEMATIC OF THE EXHAUST SYSTEM!**



**IF ANY ITEMS IN THE AKRAPOVIČ EXHAUST SYSTEM PACKAGE ARE MISSING, PLEASE CONTACT YOUR AUTHORIZED DEALER. KEEP THE SCHEMATIC FOR FUTURE REFERENCE.**



**THESE INSTALLATION INSTRUCTIONS MUST BE READ CAREFULLY IN ORDER TO ENSURE PROPER INSTALLATION AND OPERATION OF THE AKRAPOVIČ EXHAUST SYSTEM.**



**THE EXHAUST SYSTEM CAN BE EXTREMELY HOT. ALLOW THE EXHAUST AND ENGINE TO COOL DOWN BEFORE BEGINNING INSTALLATION.**



**WE ADVISE YOU TO LEAVE INSTALLATION TO A QUALIFIED SERVICEMAN. IMPROPER INSTALLATION MAY RESULT IN A SHORTER LIFETIME OF THE EXHAUST SYSTEM AND/OR DAMAGE TO THE VEHICLE.**

**REMOVAL OF STOCK EXHAUST SYSTEM:**

1. Put the motorcycle on a side stand, we recommend a racing stand. Make sure, that surface is solid and flat.
2. Unscrew and remove the plastic fasteners from the cover of the servo motor (**Figure 1**). Disconnect and remove the exhaust valve cable and then reattach the plastic servo motor's cover onto original position (**Figure 2**).



Figure 1



Figure 2

3. Unscrew the bolt from the muffler chassis hanging bracket (**Figure 3**). Unscrew the bolts from the left lower part of the cowling (**Figure 4**).



Figure 3

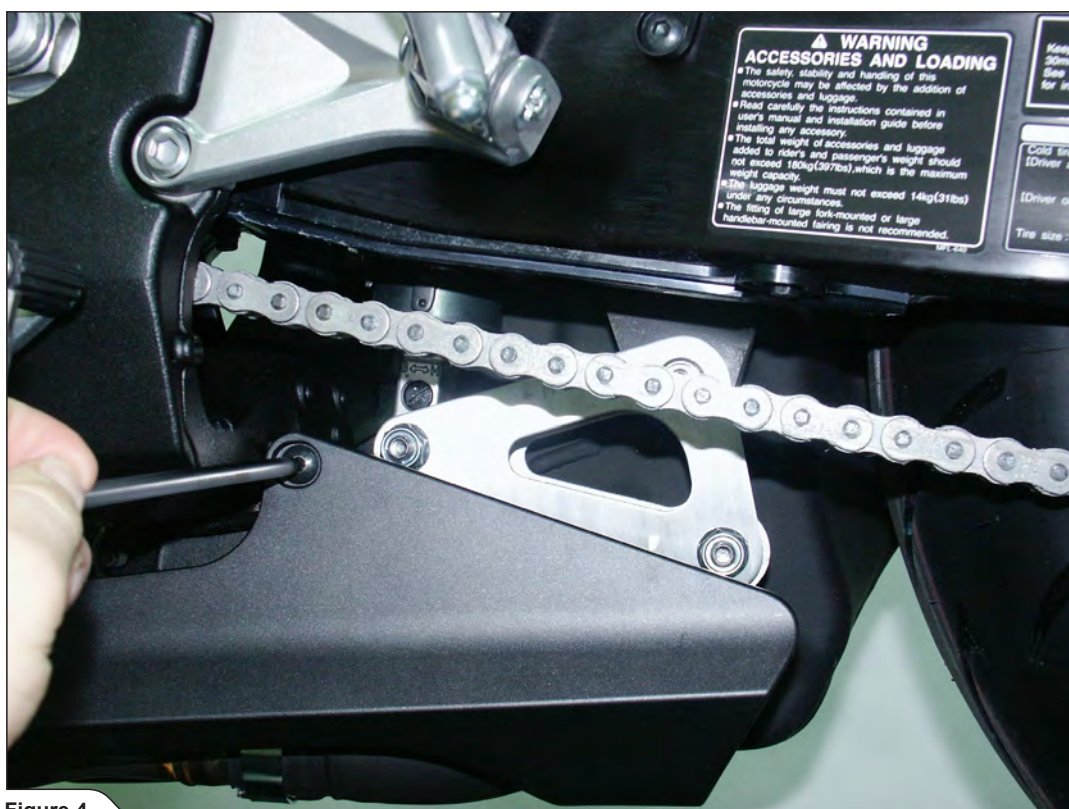


Figure 4

4. Cut the plastic tie which holds the lambda sensor cable and then unscrew the lambda sensor (Figure 5, 6).

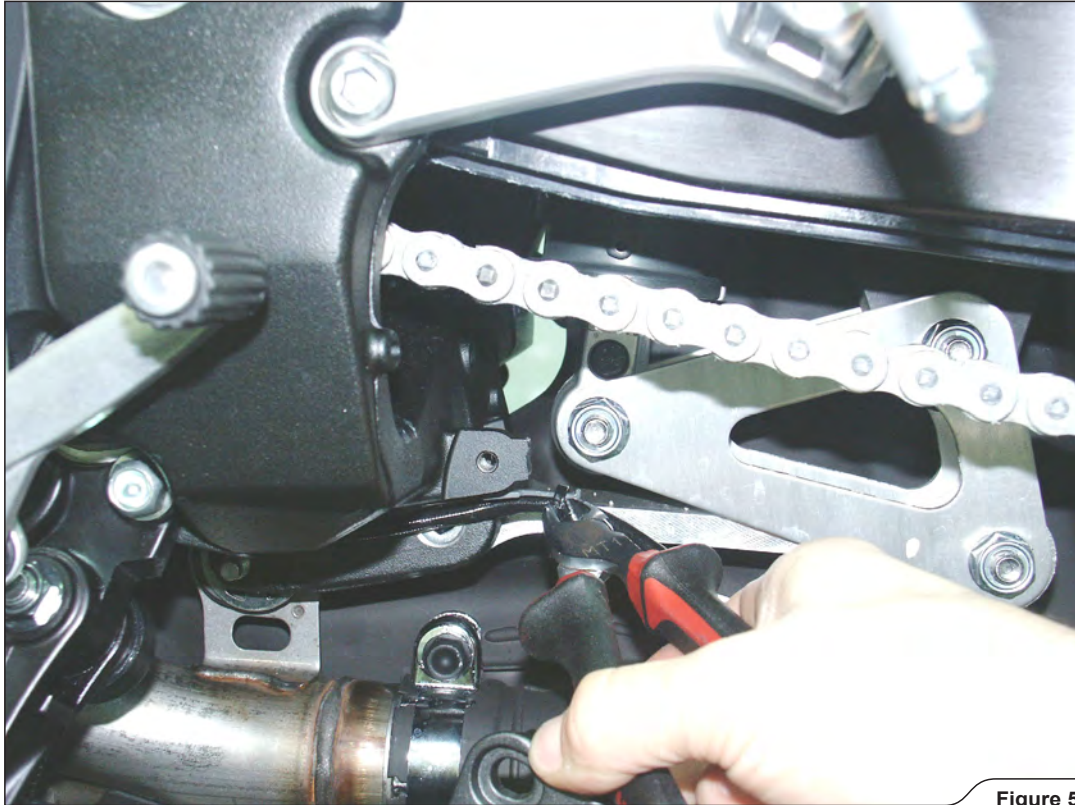


Figure 5

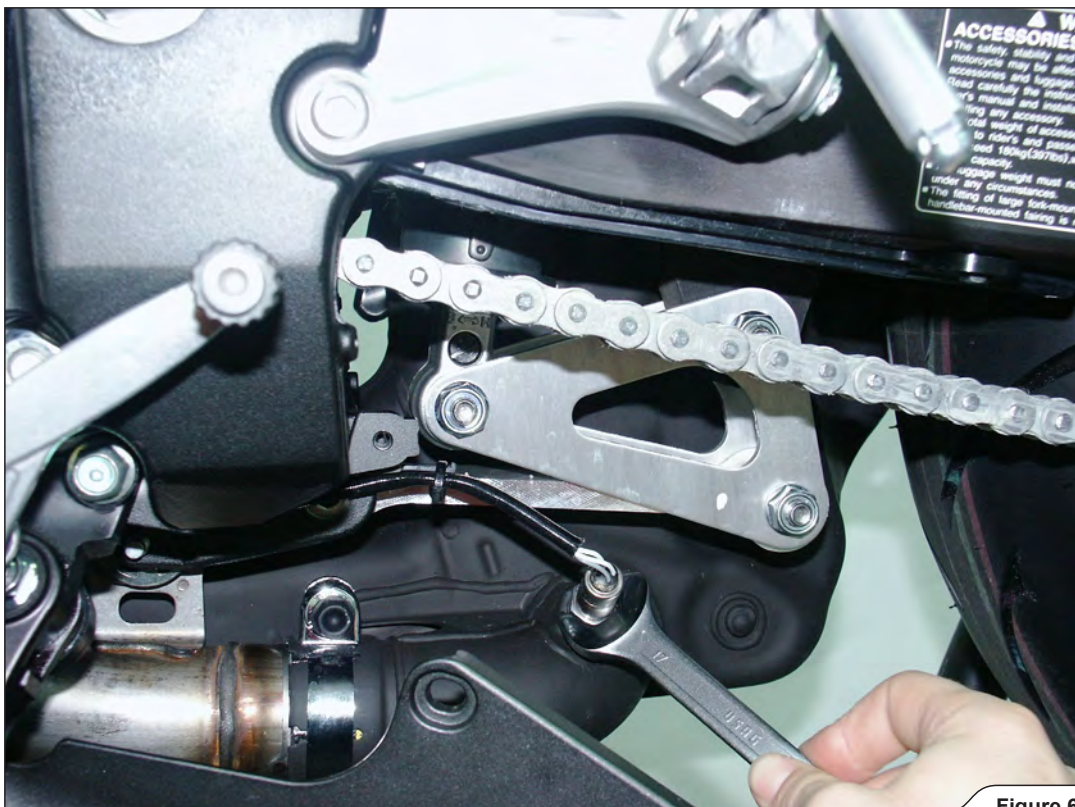


Figure 6

5. Unscrew the bolt from the metal clamp at the muffler - link pipe joint and remove the muffler (Figure 7, 8).

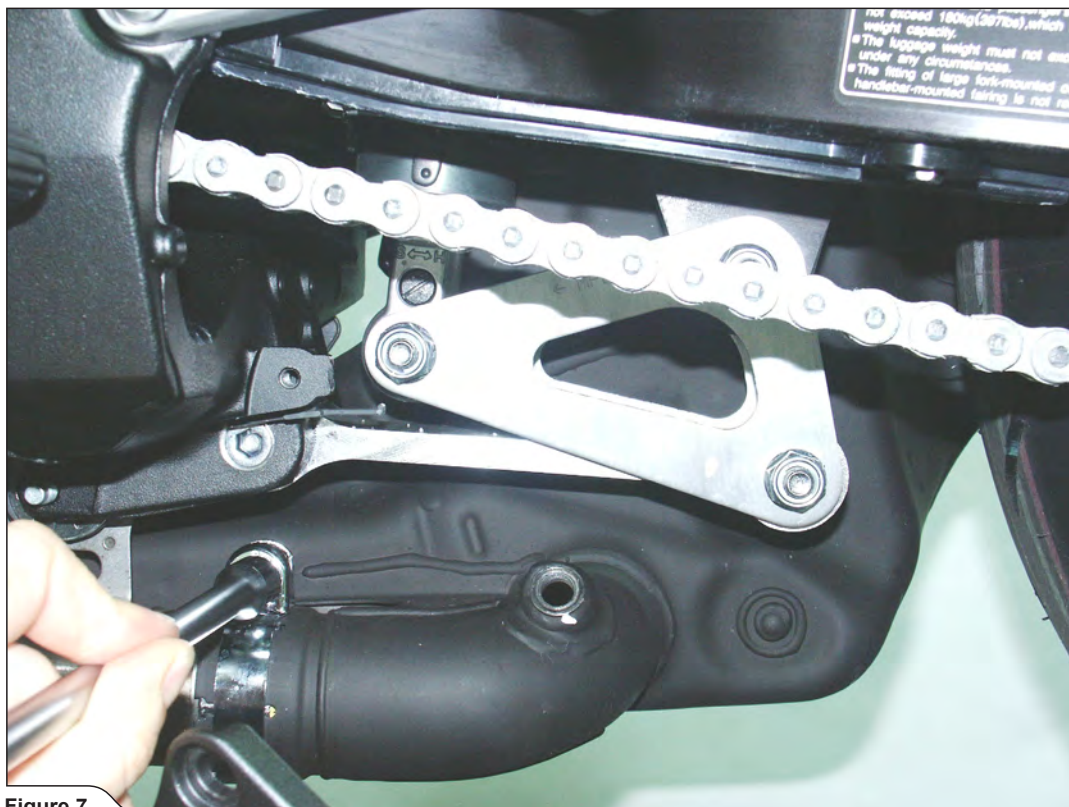


Figure 7

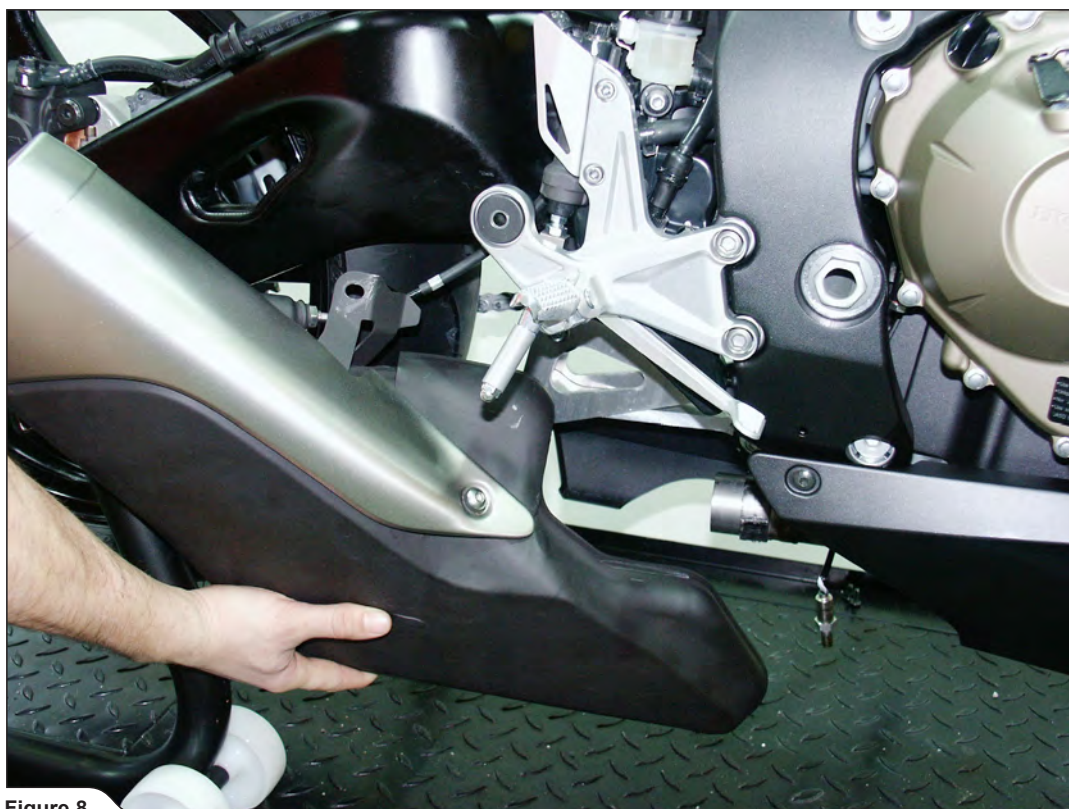


Figure 8

6. Unscrew the bolts from the right lower part of the cowling (Figure 9, 10).

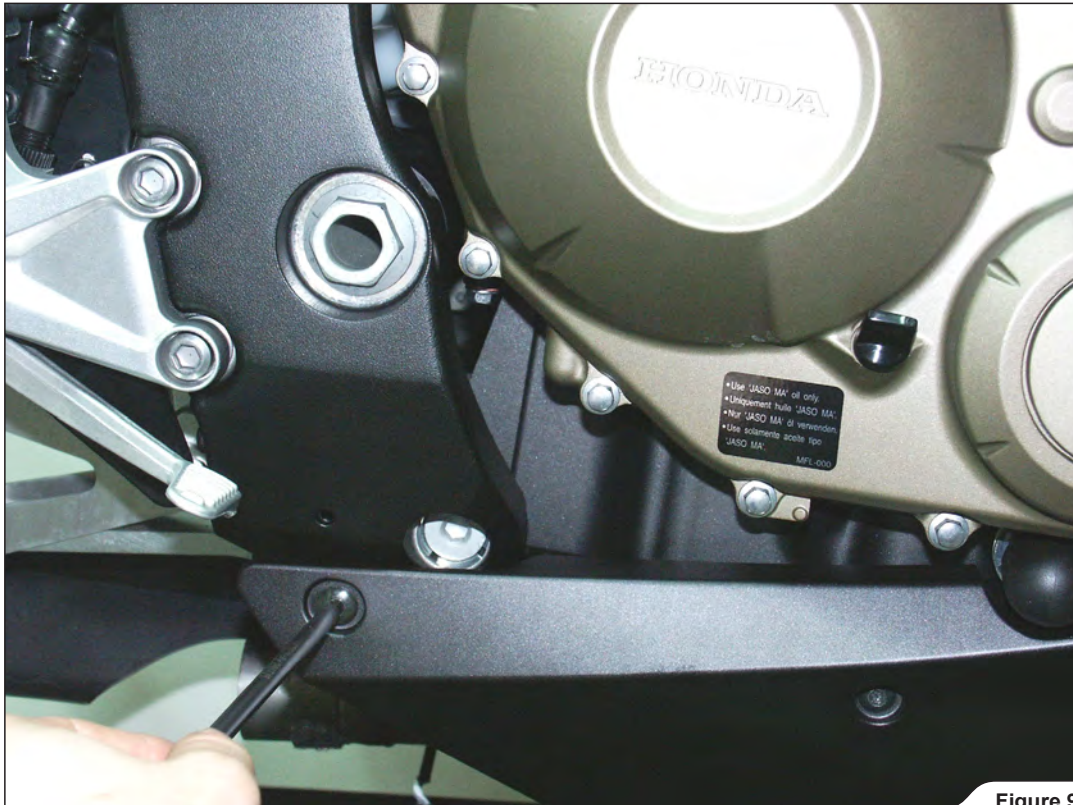


Figure 9



Figure 10



7. Remove the lower part of the cowling then unscrew the bolts and remove the plastic fasteners from the left and right side of the cowling (Figure 11, 12, 13, 14, 15, 16, 17, 18, 19, 20).



Figure 11



Figure 12



Figure 13



Figure 14



Figure 15



Figure 16



Figure 17



Figure 18



Figure 19



Figure 20

8. Disconnect the vacuum pipes and turn signals electrical connectors (Figure 21, 22).



Figure 21



Figure 22

9. Unscrew the bolt from the lower water cooler hanging bracket and slightly remove the cooler (**Figure 23**).  
**!** **WARNING: do not disconnect the cooling system tubes!**  
Unscrew the bolts from the header tube flanges (**Figure 24**).



Figure 23



Figure 24

10. Unscrew the bolt from chassis hanging bracket of stock headers (Figure 25) and remove the stock header tubes (Figure 26).

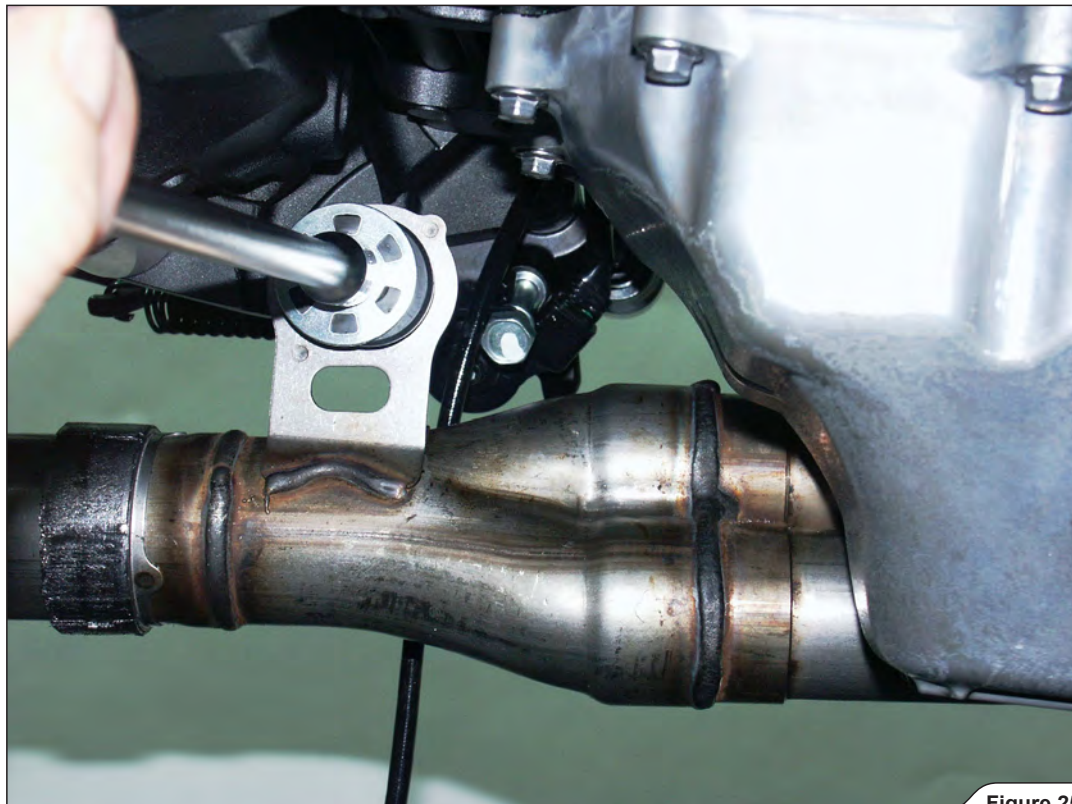


Figure 25



Figure 26



**INSTALLATION OF THE AKRAPOVIČ RACING OR EVOLUTION EXHAUST SYSTEM:**

1. Set up the sleeves together with the flanges and springs. Make sure they are correctly oriented and that the holes for attaching the springs line up with the loops on the header tubes. Do not tighten up the flanges (Figure 27, 28).

**! WARNING:** make sure not to damage the cooling fins!



Figure 27

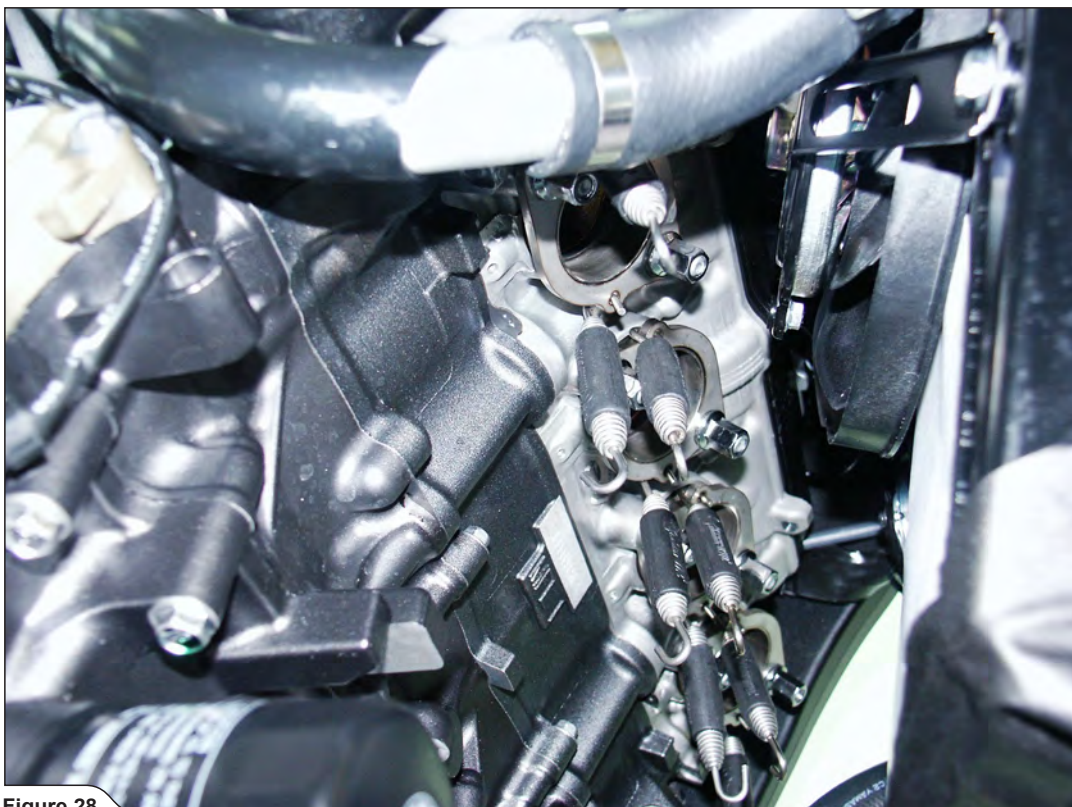


Figure 28

- Put headers and collectors together and attach the springs;make sure they are correctly oriented (**Figure 29**).  
**!** **WARNING:** make sure, that springs pull the collectors all the way onto the headers – use rubber mallet if necessary to tap the connections into place!  
For Evolution exhaust only: coat the interior side of the input bushes of the titanium collectors with Akrapovic ceramic anti-seizing grease (white tube).



Figure 29

- Insert the header tubes properly, attach the springs and tighten the flanges;make sure not to damage the cooling fins (**Figure 30**).Reattach the cooler to the bracket; (**Tightening torque for cooler bolt: 9.8Nm / 7ftlb**).  
**!** **WARNING!** make sure, that springs pull the headers all the way into the sleeves – use rubber mallet if necessary to tap the connections into place!

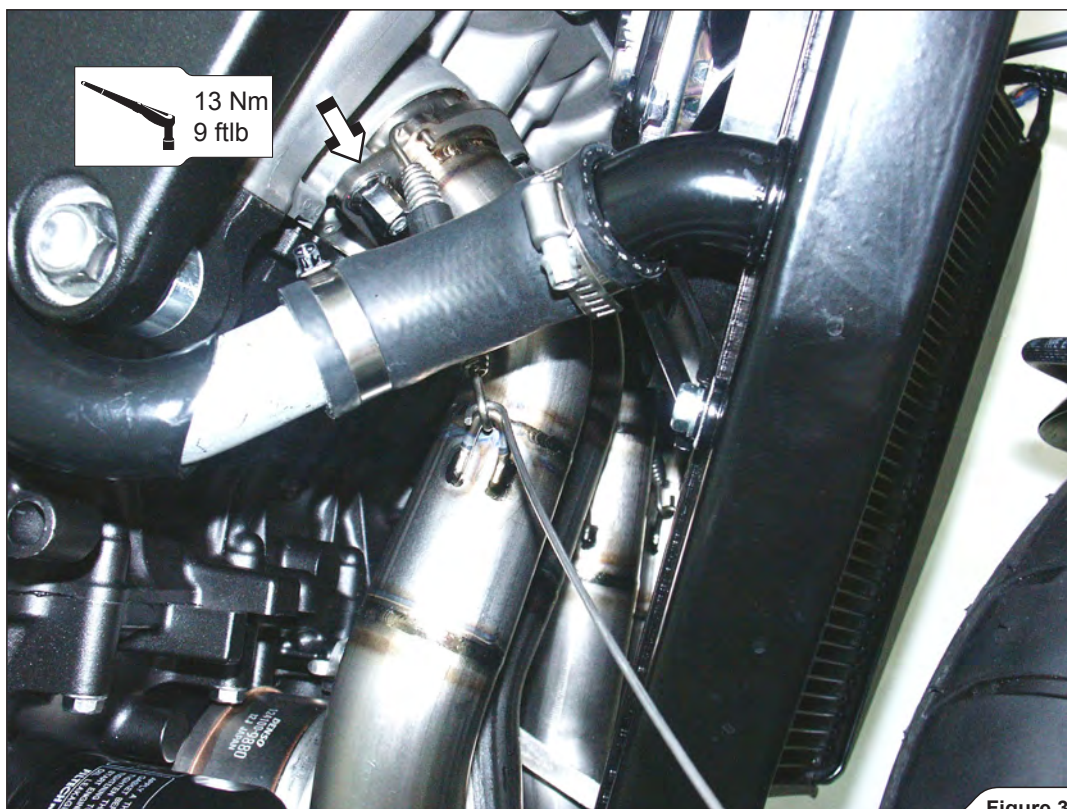


Figure 30

4. Tighten the reduction nut to the link pipe (**Figure 31**).



Figure 31

5. Slide the link pipe onto the collectors and attach the springs (**Figure 32**). **For Evolution exhaust only:** coat the interior side of the input bushes of the titanium link pipe with Akrapovic ceramic anti-seizing grease (white tube).  
**! WARNING:** make sure, that springs pull the link pipe all the way onto the collectors – use rubber mallet if necessary to tap the connections into place!

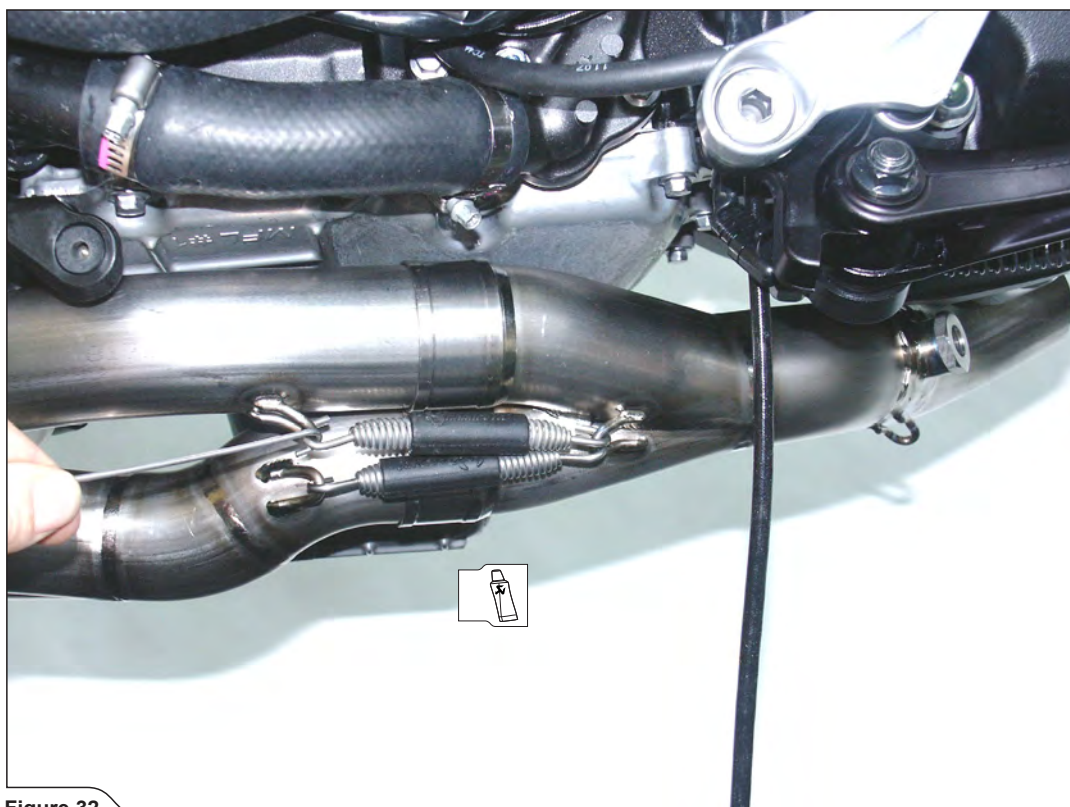


Figure 32

6. Tighten the lambda sensor. Make sure not to damage the sensor's electrical lead (**Figure 33**). Fix the lambda sensor electrical lead with plastic tie onto the plastic bracket and cut away excess of the tie (**Figure 34**).

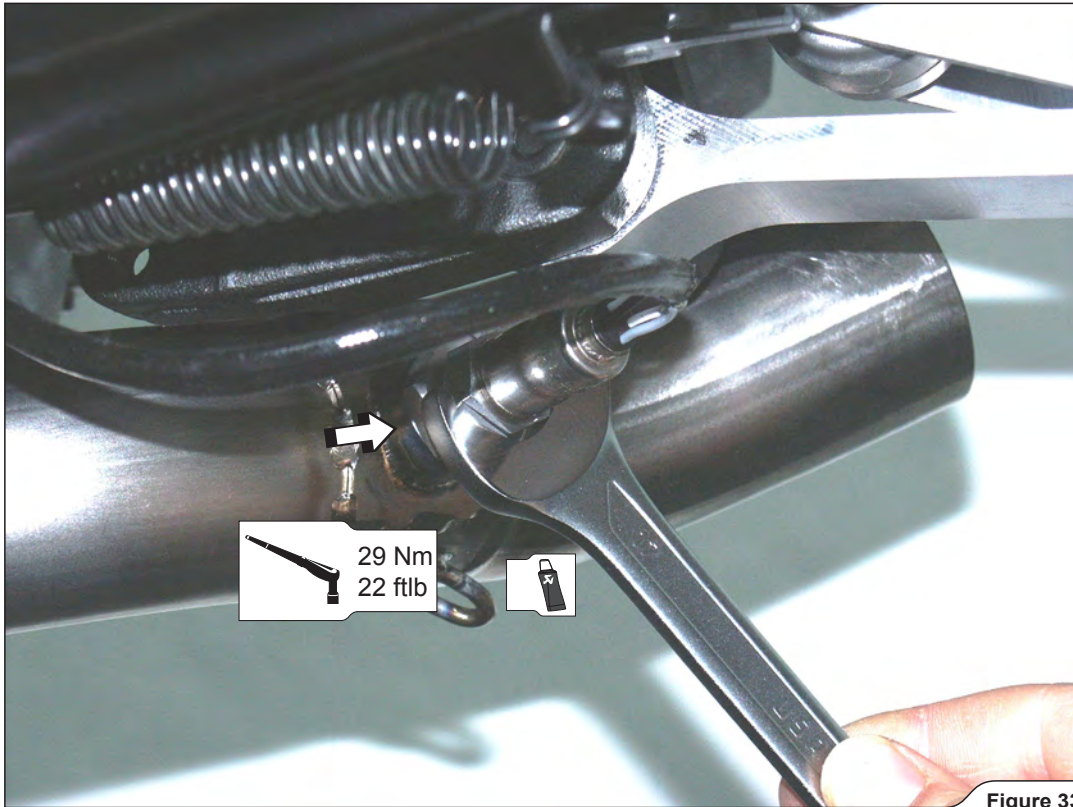


Figure 33



Figure 34

7. Remove the rubber dampers and the metal collar from the muffler bracket (**Figure 35**). Remove the footrest and put the 5 mm aluminium distance bushes under the footrest than reattach the footrest with the stock bolts (**Figure 36**).



Figure 35



Figure 36

8. Insert the aluminium bush to the muffler bracket (**Figure 37**).

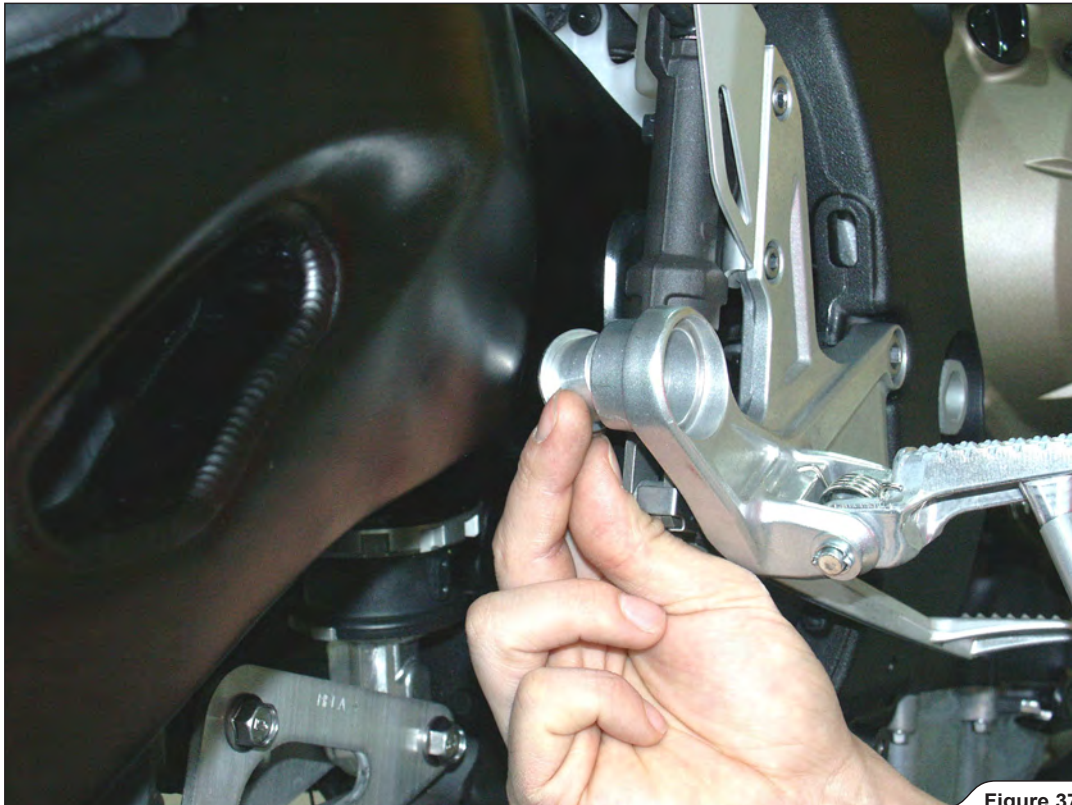


Figure 37

9. Correctly position the carbon-fiber clamp and slide it onto the muffler - bear in mind the **left offset** of the carbon-fiber clamp viewed from the rear (**Figure 38**).  
**! WARNING: open the clamp slightly wider than the diameter of the outer sleeve of the muffler – do not scrape it along the muffler outer sleeve!**



Figure 38

10. Position the muffler correctly and slide onto the outlet side of the link pipe, hand tighten the muffler clamp to the bracket and attach the springs (Figure 39, 40).

! **WARNING:** make sure, that springs pull the muffler all the way onto the link pipe – use rubber mallet if necessary to tap the connections into place!



Figure 39

11. **For Evolution exhaust only:** coat the interior side of the input bush of the muffler with Akrapovic ceramic anti-seizing grease (white tube).

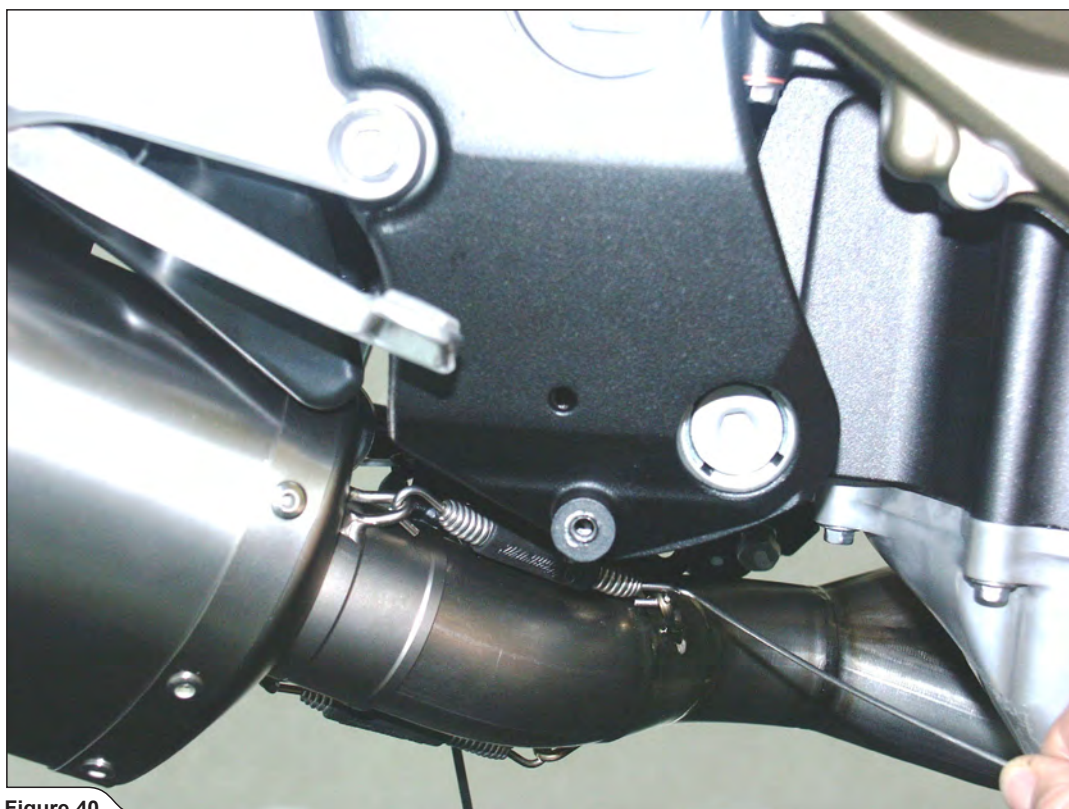


Figure 40

12. Tighten the bolts on the carbon-fiber clamp and clamp to stock muffler bracket joint (**Figure 41**). Make sure the link pipe or muffler are not touching the frame, swing arm or any other part of the motorcycle. Attach the cowlings in the reverse order from the order in which they were removed (**Figure 42**).

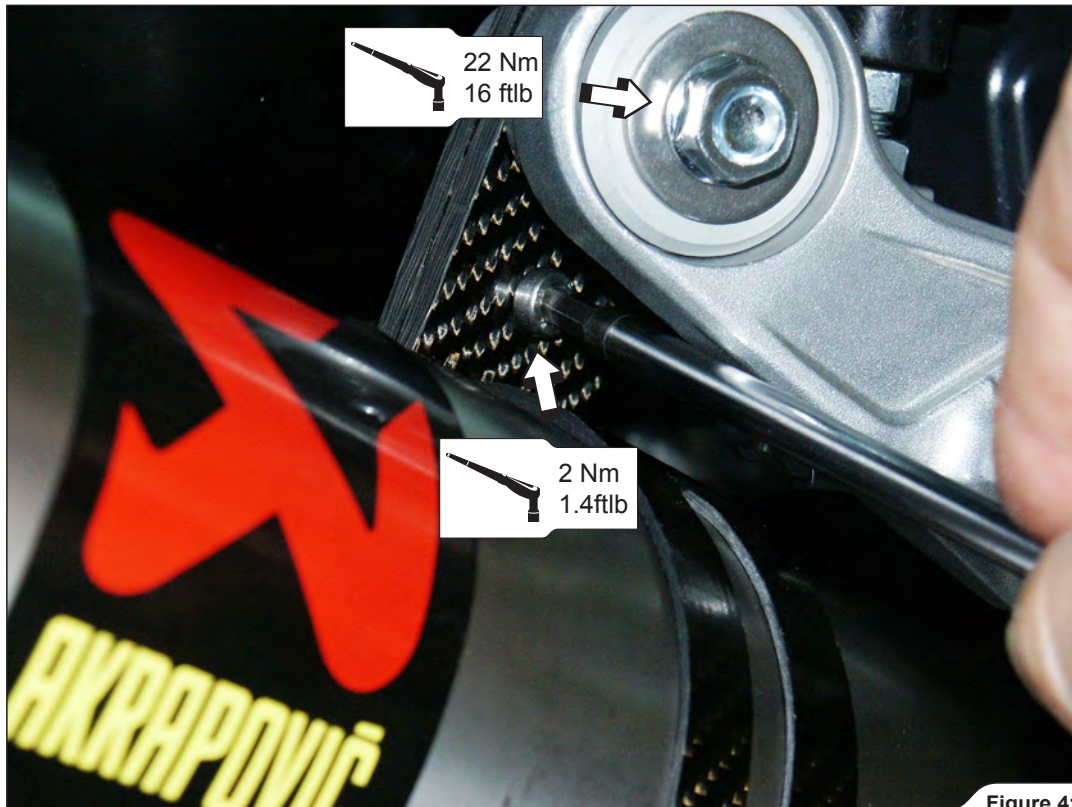


Figure 41

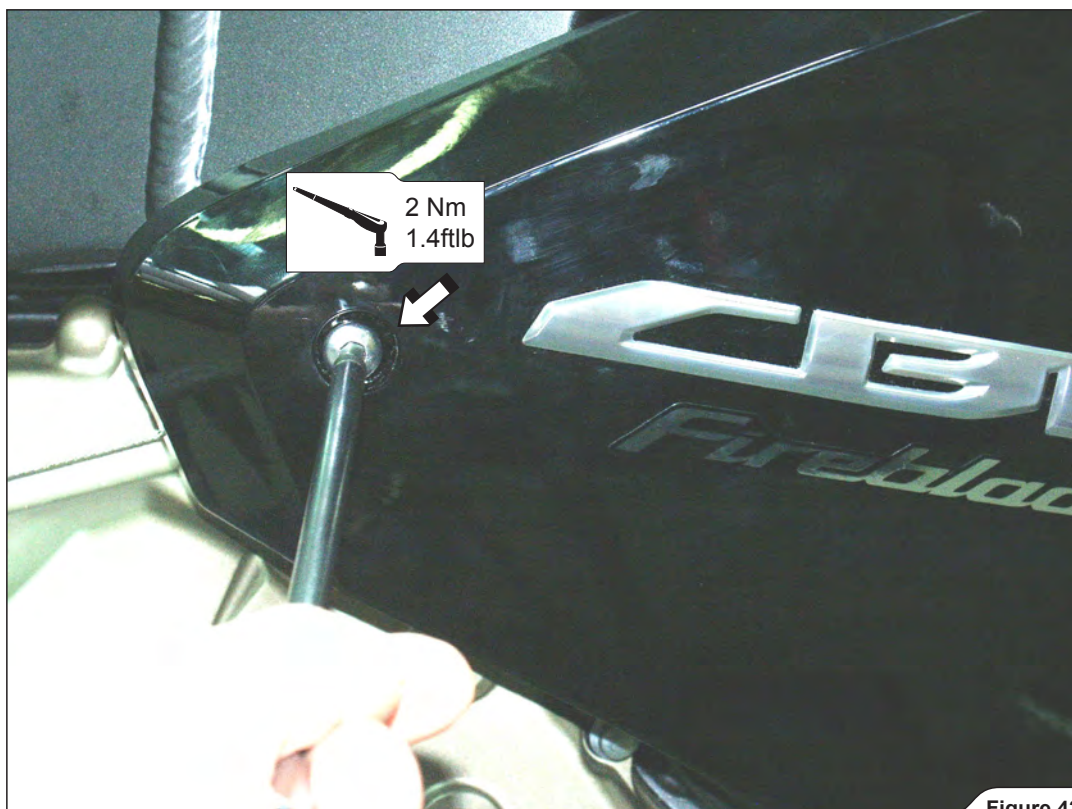


Figure 42



### Final installation:

1. Clean grease spots:
  - a. Muffler – carbon-fiber outer sleeve: use a soft dry cloth.
  - b. Muffler – titanium outer sleeve: use a soft cloth sprayed with a multi-purpose spray lubricant (WD-40 or equivalent).
  - c. Muffler – carbon-fiber outlet cap: use a soft dry cloth.
  - d. RACING - stainless steel link pipe, collectors and header tubes: use a soft cloth sprayed with a contact cleaner, then wipe with a soft dry cloth
  - e. EVOLUTION - titanium link pipe, collectors and header tubes : use a soft cloth sprayed with a multi-purpose spray lubricant (WD-40 or equivalent).

Cleaning will prevent spots from burning onto the surface. Do not use aggressive chemical cleaners, because they can damage the sticker.

**! WARNING: make sure all the bolts are sufficiently tightened. In case the exhaust system touches the cowling or other parts repeat the adjustment of the exhaust system or contact your authorized dealer.**

**! IT IS NORMAL IF WHITE SMOKE COMES OUT OF THE MUFFLER ON FIRST OPERATION.**

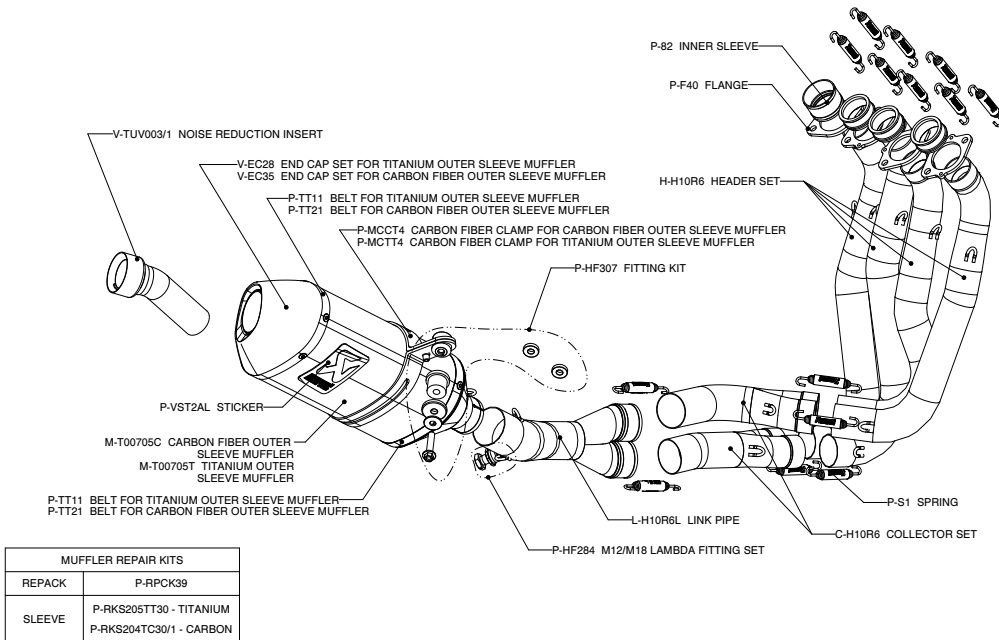
**! DO NOT STAND BEHIND THE MUFFLER ON FIRST OPERATION.**

**! DO NOT USE AUTOMOTIVE WHEEL CLEANERS OR ANY CLEANING PRODUCTS WHICH CONTAIN ACIDIC ADDITIVES TO CLEAN AKRAPOVIČ EXHAUST SYSTEMS.**

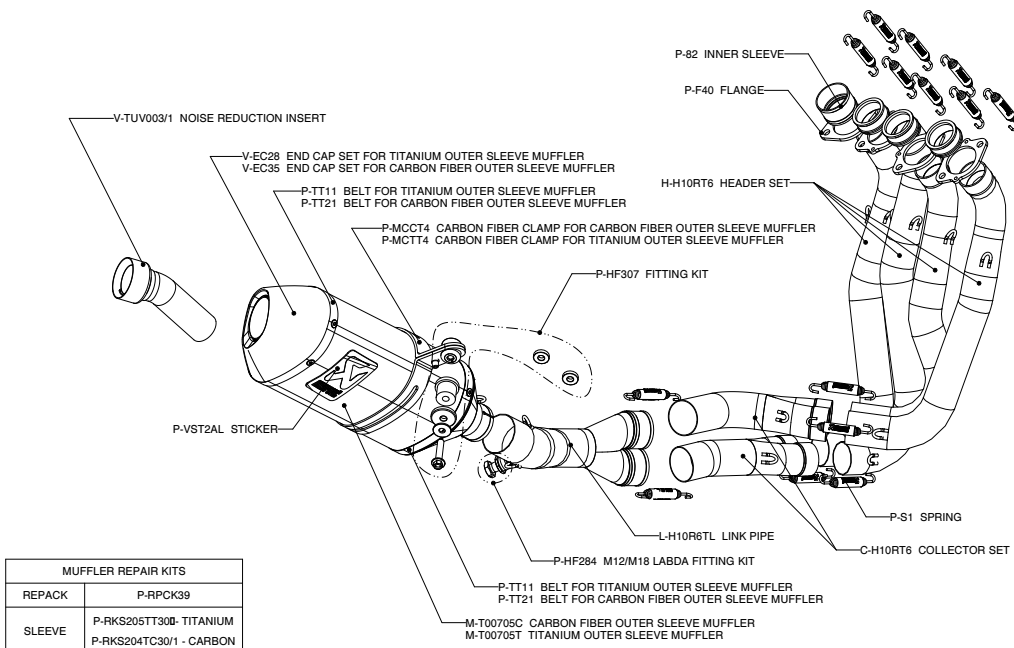
### **MAINTENANCE OF THE AKRAPOVIČ EXHAUST SYSTEM**

1. Clean the titanium exhaust components with a multi-purpose spray lubricant (WD-40 or equivalent ), carbon fiber exhaust components with soft and dry cloth and stainless steel components with soft cloth sprayed with contact cleaner, then wipe with soft and dry cloth. A change in the color of the exhaust system is normal due to the high temperatures.
2. Periodically make sure all the bolts and springs are sufficiently tight.

**HONDA CBR 1000RR (WITHOUT ABS) Complete exhaust system / RACING LINE**  
**Product code: S-H10R6L-TC**  
**S-H10R6L-TT**

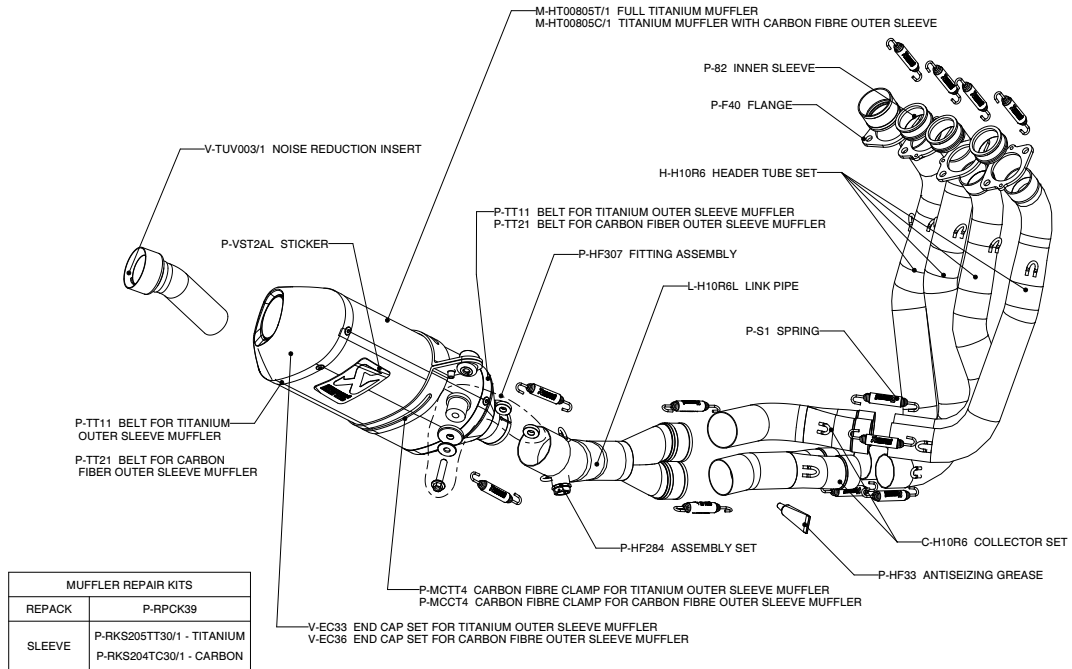


**HONDA CBR 1000RR (WITHOUT ABS), Complete exhaust system / EVOLUTION LINE**  
**Product code: S-H10RFT6TL-TC**  
**S-H10RFT6TL-TT**



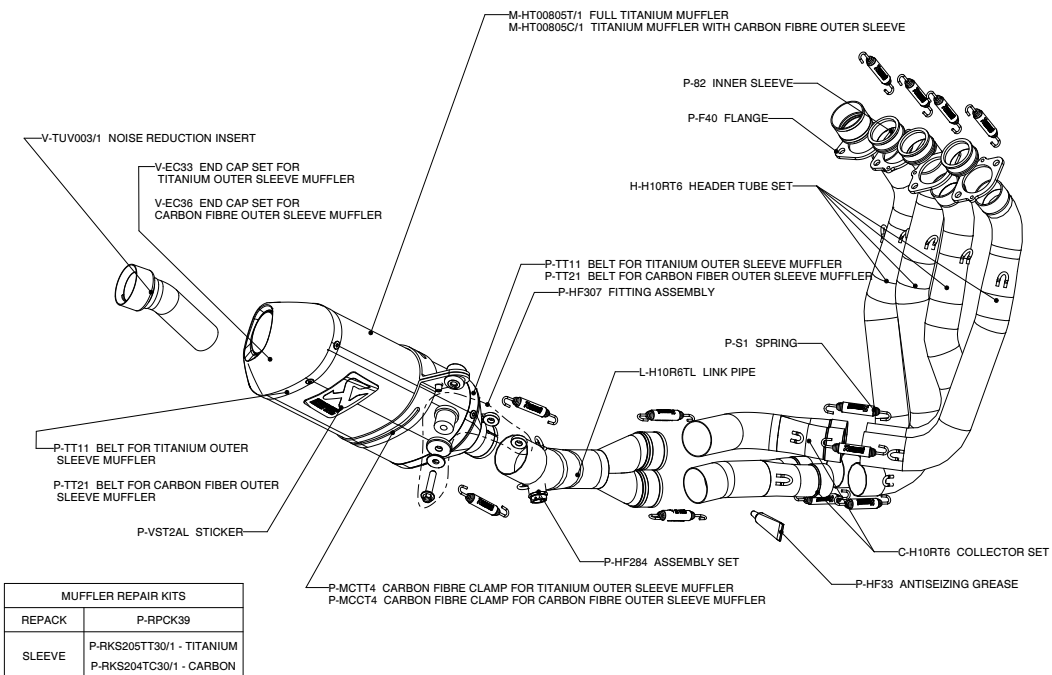
**HONDA CBR 1000RR (WITHOUT ABS) Racing line tube set with EC Type approval Slip-on muffler**  
**Product code: S-H10R6L-TC/1**  
**S-H10R6L-TT/1**

**WARNING! IN CASE OF COMBINATION WITH FULL SYSTEM TUBE SET, THE SLIP-ON EC TYPE APPROVAL IS NOT VALID!**

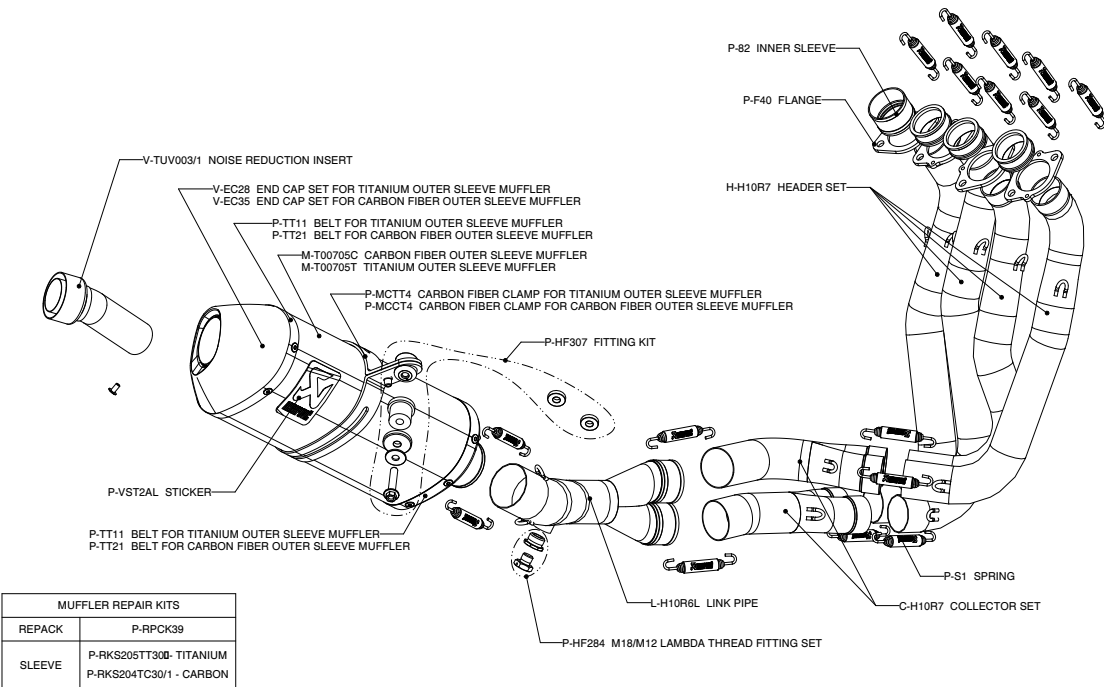


**HONDA CBR 1000RR (WITHOUT ABS) / Evolution line tube set with EC Type approval Slip-on muffler**  
**Product code: S-H10RFT6TL-TC/1**  
**S-H10RFT6TL-TT/1**

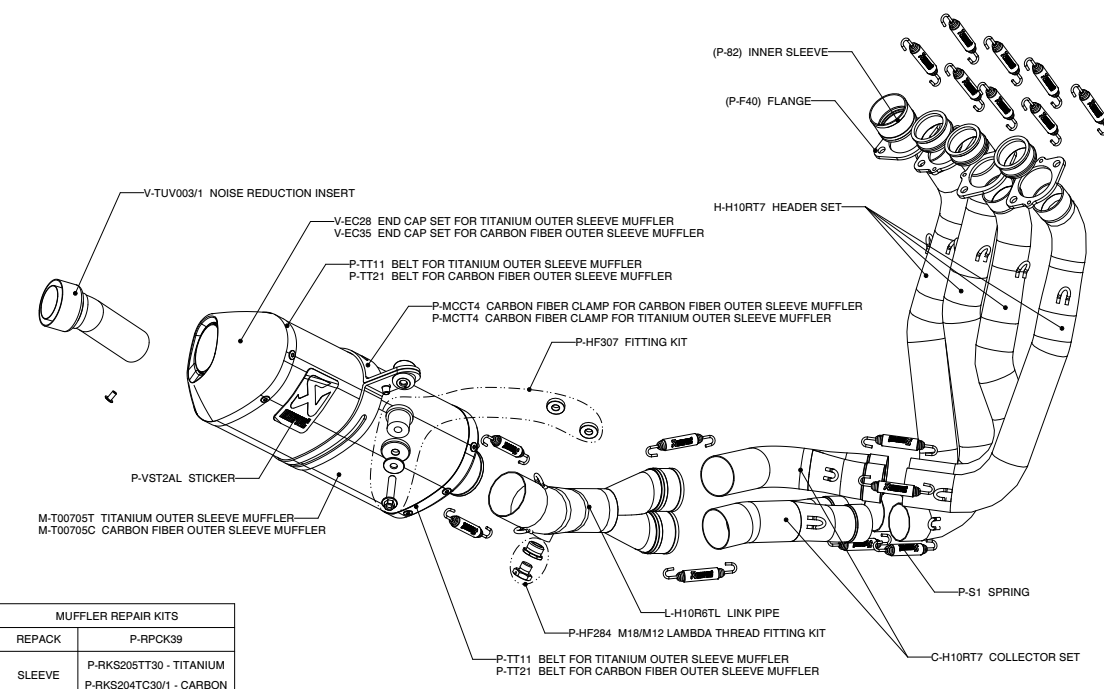
**WARNING! IN CASE OF COMBINATION WITH FULL SYSTEM TUBE SET, THE SLIP-ON EC TYPE APPROVAL IS NOT VALID!**



**HONDA CBR 1000RR ABS, Complete exhaust system / RACING LINE**  
**Product code: S-H10R7-TT**  
**S-H10R7-TC**

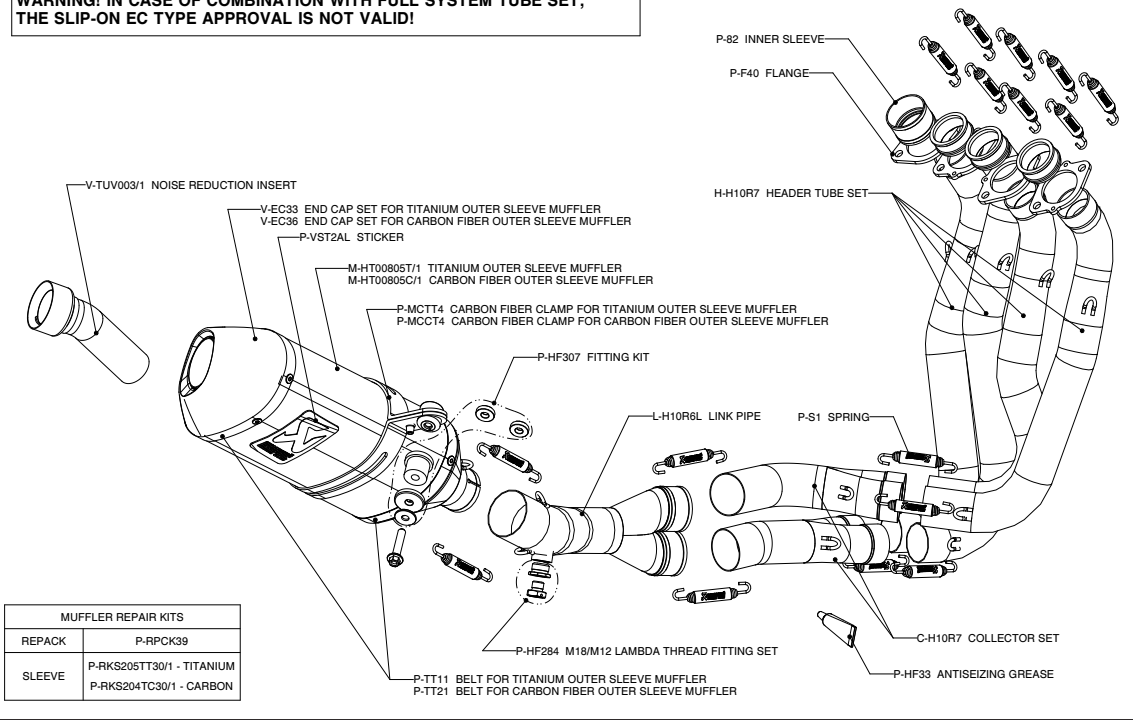


**HONDA CBR 1000RR ABS, Complete exhaust system / EVOLUTION LINE**  
**Product code: S-H10RFT8TL-TT**  
**S-H10RFT8TL-TC**



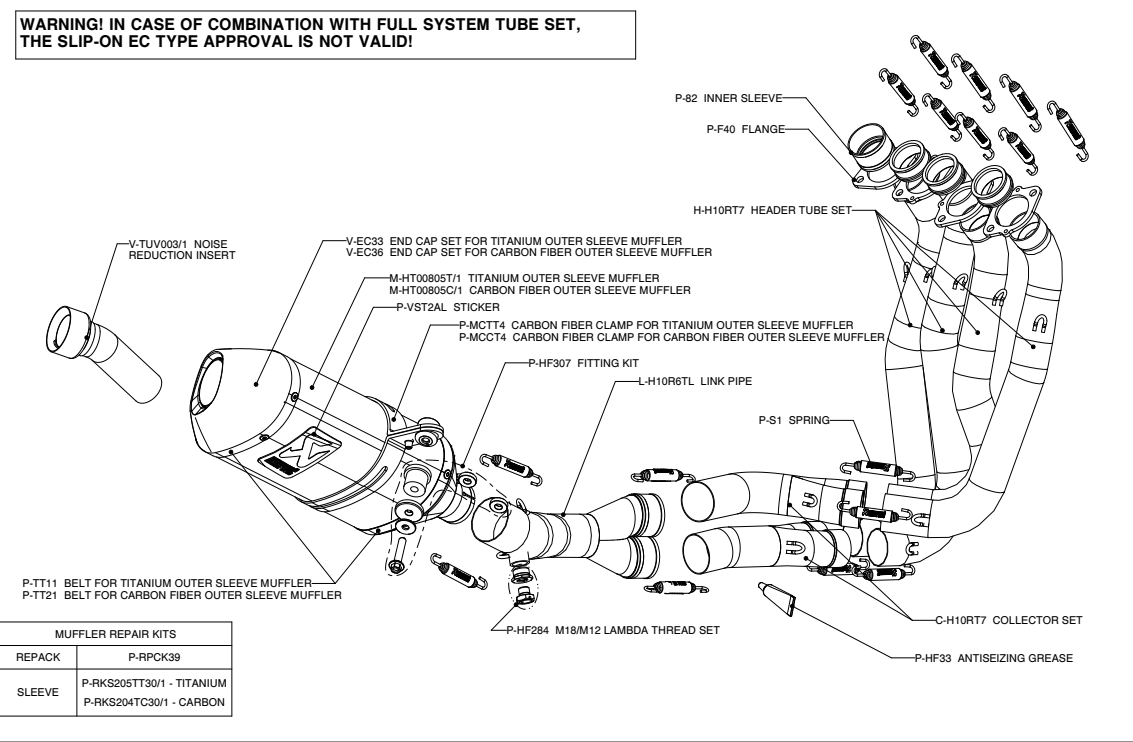
**HONDA CBR 1000RR ABS; Complete exhaust system / RACING LINE tube set with EC Type approval Slip-on muffler**  
**Product code: S-H10R7-TT/1**  
**S-H10R7-TC/1**

**WARNING! IN CASE OF COMBINATION WITH FULL SYSTEM TUBE SET, THE SLIP-ON EC TYPE APPROVAL IS NOT VALID!**



**HONDA CBR 1000RR ABS/ Complete exhaust system / EVOLUTION LINE tube set with EC Type approval Slip-on muffler**  
**Product code: S-H10RFT8-TT/1**  
**S-H10RFT8-TC/1**

**WARNING! IN CASE OF COMBINATION WITH FULL SYSTEM TUBE SET, THE SLIP-ON EC TYPE APPROVAL IS NOT VALID!**



**WARNING:**

Please note that certain aftermarket exhaust systems may not comply with applicable California laws and regulations, and may therefore be prohibited for use on California highways or roads, or on roads or vehicles otherwise subject to emissions control requirements.

Akrapovič exhaust systems for automobiles and motorcycles mounted downstream of the catalytic converter (also known as "cat-back systems") are considered "replacement parts" in California by the California Air Resources Board (CARB), and do not require an exemption or executive order from CARB to be sold in California. However, California prohibits the use of any aftermarket exhaust system that modifies, removes or replaces original equipment catalyts, unless CARB has issued an Executive Order as to such part or system.

Further, Akrapovič parts or exhaust systems used or intended for use on "racing vehicles" (i.e. a competition vehicle used exclusively for competition on closed-course circuits) do not require an exemption or Executive Order from CARB to be sold in California. However, such parts are prohibited from use on California public highways or roads, even if occasionally used "off-road."